

# Section 7

Floorboards .....	56-62
Foot Pegs and Mounts .....	61-74
Forward Controls .....	42-54
Frames.....	2-4
Frame Related .....	4-16
Highway Bars .....	25-28
Kickstands .....	29-35
Motor Mounts .....	36-41
Lowering kits .....	22-23
Progressive Suspension .....	17-18
Shocks .....	17-22
Swing Arm .....	4-5,7-16
Tool Box .....	6

# Frame



## 2000-on TC-88B FXST Front Frames

Order rear frame, shocks and hardware separately.

**99875** 2000-05 FXST, TC88B (for swing arm use #67912 chrome, less bearing kit and 2000-on related components)

**67912** T/L chrome swing arm 2000-05 (48442-00)

**83504** Chrome shocks

**24058** Shock bolts

Note: Use #67912 rear frame & 2000-on related components



## Swingarm Frame for Road Kings

Stock style 1994-06 frame with a 26° rake. Accepts Twin Cam 88 and Evolution engines with matching Touring model transmissions. Accepts all stock sheet metal, forks and suspension.

**99927** Frame only 1998-08

**99216** Stock style raw steel rear swingarm for 2000-01 Touring models with 3/4" diameter axle only

## Spark Plug Box

Clamps onto the rear frame tube just behind the oil tank and will house two spare spark plugs. This part will fit all Big Twin swingarm frames.

**2315** 91775-51



## Chrome Display Stand

Holds bike upright for easy fluid level checking. For 1997-08 Touring models (not w/oil coolers or FLHRSE3 and 2007-08 police models).

**82054** 99002-97



10511



10513



10515

## Grease Fittings 5/16 x 32 Thread

PCP Description

**10511** Zinc 1938-on (10 pack)

**10513** Zinc, angle 1938-on (5 pack)

**10515** Zinc 1979-84 (10 pack)

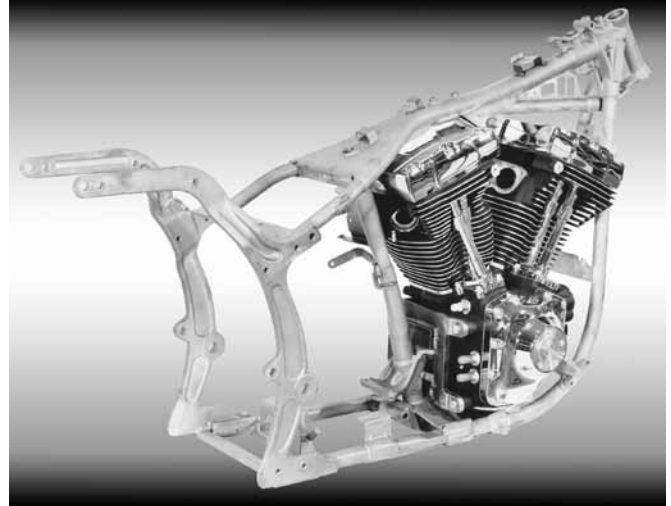
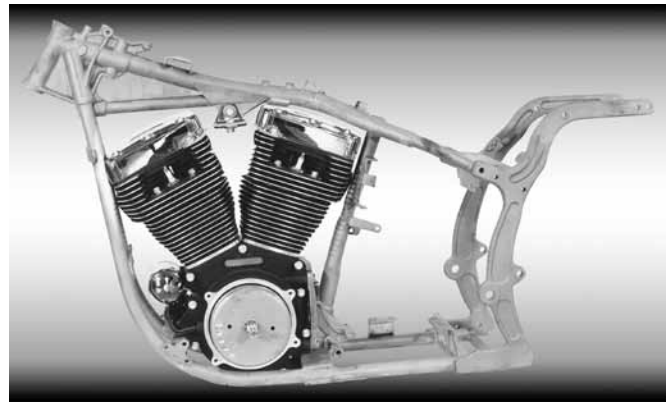
# V-Twin Replica Frame



## FXST-FLST Replica Frame

An authentic reproduction of 1987-99 model. Features include forged parts in neck, front & rear motor mounts and rear strut bars. Formed stampings which have been accurately blanked and pressed, are used in the top motor mount and seat area. This frame accepts EVO engines, 5-speed rigid mount transmission, stock swing arm and 1984-on "Flatside" gas tanks. Neck includes tab for pad lock and a 17 sequence number boss.

**99850** Frame front section



## Twin Cam 88 FXST, FLST Replica Frame

Reproduction of 1987-on type frame with forged parts in neck, front/rear motor mounts, rear strut bars and includes rear engine mount bracket. Top motor mount and seat area feature accurately blanked and pressed formed stampings. Frame accepts TC 88 engine, 5 speed rigid mount transmission and 1984-on flat side style tanks. Neck includes tab for padlock and serial number.

**99865**



## Rear Swing Arm Bearing Remover/Installer

For use on FXST, FLST 1986-on.

**26127**



## Well Nuts

PCP	Thread	Type (10 pack)
<b>23032</b>	6/32	Headlight (5210)
<b>23033</b>	10/32	FXST Module (5207)
<b>23015</b>	1/4-20	FXR (8099)



## Big Twin Motor Mount Shims

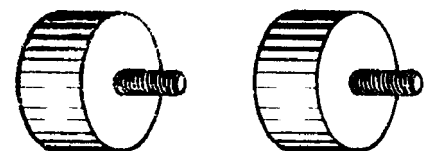
Fit on front and rear 1936-99. (10 Pack)

PCP	Thickness
<b>13512</b>	.015

## Frame Bumper FXST-FLST

Bumper has a 1/4" x 20 thread.

**23031** Replaces 11451 (Pair)

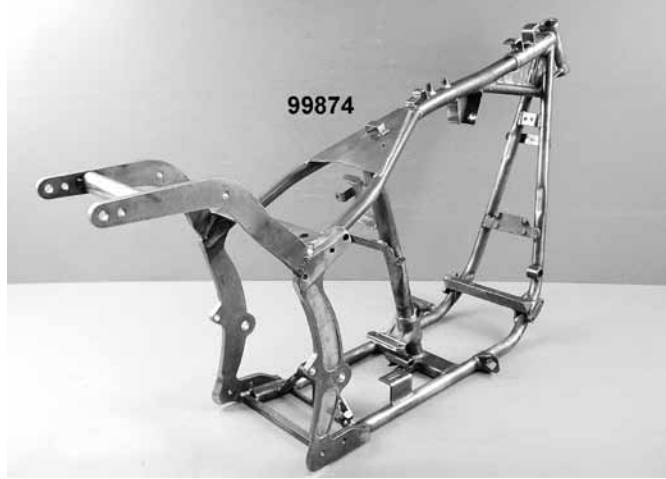


# Frame



## Stock Style Replacement Frames 1986-99 FXST,FLST

Include all tabs for mounting stock components.  
99926



## Paughco FXST Front Frames

Accepts flat side 5 gal. gas tank #6480, includes transmission mount plate. Order neck cups, rear frame, shocks and hardware separately.

- 99874** 1987-99 Front frame, Evo 5 speed use stock trans plate  
**4799** Neck cup kit for above

## Weld On FXST Coil Mount 59208



27318



27319

## FXST Weld-on Frame Brackets

- 27318** Signal module 1991-99  
**27319** Circuit breaker

## BT Weld-on Rear Peg Mounts 1983-86

**27317** 3/8" Threads



## FXST Rear Splash Guard

This effective splash guard mounts to stock mounting tabs to protect your bike from grime and dirt.

**57301** 60363-86C



90988

## ST Rear Frame Section

Fits 2000-05 FXST and 2000-on FLST

### PCP Fitment

- 90987** 2000-05 FXST, 2000-on FLST  
**90988** 2006-07 FXST  
**43121** Pivot kit for above

### Finish

- Chrome (48442-00)  
Chrome (48607-06)  
Chrome



67912



67913

## Stock Rear Frame Section

Order bearing kits separately.

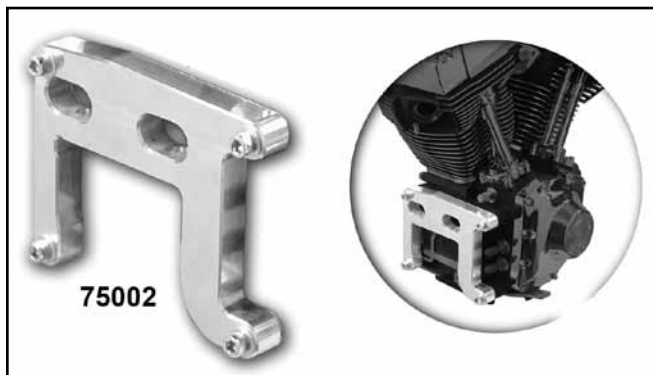
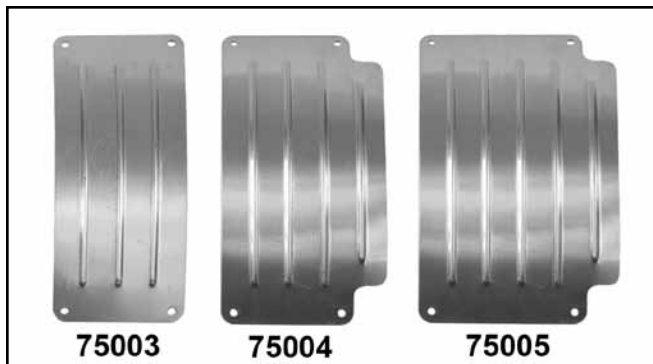
### PCP Fitment

- 67912** 2000-05 FXST, 2000-on FLST  
**67913** 20008-on FLSTF

### Finish

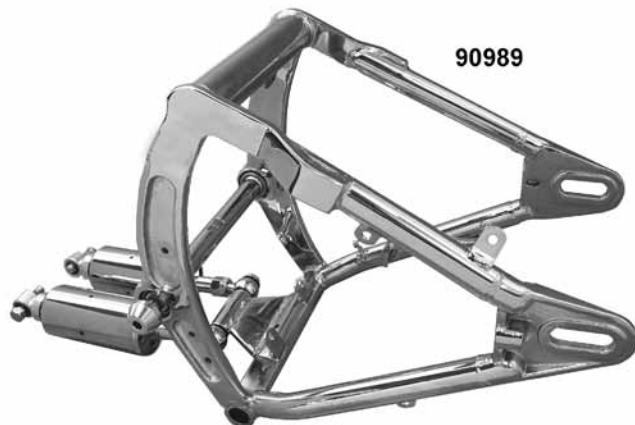
- Chrome (48442-00)  
Black (48573-08)

# FXST Frame Related



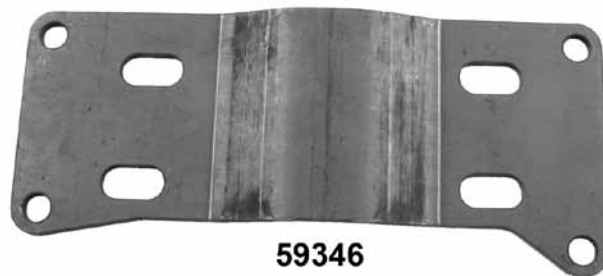
## Paughco 'Easyride' Frame Accessories

PCP	Description
75003	Aluminum swingarm rock guard
75004	Wide aluminum swingarm rock guard
75005	Extra-wide aluminum swingarm rock guard
75002	Adapter plate for Twin Cam engines (does not work with counterbalanced Twin Cam B Softail engines)



## Chrome Rear Swing Arm & Shock Assembly

PCP	Year
90989	1986-99
90990	2000-05
90991	2006-07



## V-Twin Wide Drive Softail Optional Parts

Optional Parts	Description
59346	1/2" Offset Transmission Plate
76457	1/2" Primary Spacer
73560	1/2" Longer Compensator Shaft
73609	1/2" Longer Sprocket Shaft Nut



## Chopper Frame Components

Order Components Separately:

PCP	Item
59521	Motor spacer plate 3/4"
59522	Axle slot cover set
59693	Chrome oil tank
59694	Raw oil tank



Chrome steel strut bars allow use of a 12" wide fender on FXST frames

99227

# Frame Related



## Left Side Tool Box Kit for Softails® 1984-99

This kit fits all Softail® models (on the 1990 FLSTC the tool box will touch the saddlebag and support bracket). Kit includes tool box, mounting bracket and hardware. Replaces OEM 64207-89.

- 85200** Complete kit with chrome bracket(not FLSTN)
- 27034** Left side bracket (black)
- 85201** Chrome tool box only



## Right Side FXST-FLST Tool Box Kit 1984-99

Chrome ribbed replica of early box including keys, mount bracket, foot peg spacer and hardware. Replaces factory accessory 64201-85B.

### FXST Tool Box Kit

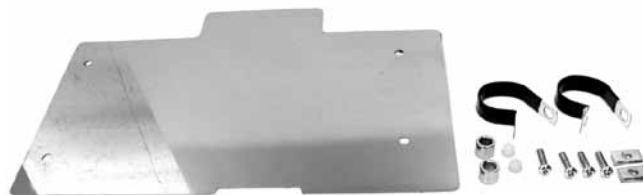
- 85204** Toolbox and right side mount
- 3602** Right side bracket only, black.
- 27034** Left side bracket only, black.
- 27035** Relocation bracket (64210-90)



## Tool Box For 2000-05 FXST

### PCP Side

- 21764** Right (64937-00A) Also 2000-07 FLST/N/C/S/SC (requires OEM spacer 49352-00 if used with OEM passenger footpegs).
- 21765** Left (64938-00) Also 2000-06 FLSTF and 2005-07 FLST/N (requires OEM spacer 49352-00 if used with OEM passenger footpegs).



## FXST, FLST Rear Fender Extension 1986-on

Replaces stock plastic extension.

- 27279** Stainless steel 1986-99 (60401-98)
- 27287** Curved chrome 1986-99
- 12633** Speed nuts
- 27309** Stainless 2000-07 (60476-00A)
- 27359** Chrome 2000-07



## Toolbox Kit

Chrome, ribbed tool box kit includes 2 keys, mount bracket, footpeg spacer and hardware.

### 2008-on FXST/B/C, & FLSTF

- 85206\*** Right side kit
- 85207** Left side kit

\*Note; If used with stock passenger footpegs OEM spacer kit # 49352-00 is required (available from OEM dealer)

### 2006-on FXD, FXDWG

- 85208** Right side kit



# FXST Swing Arm



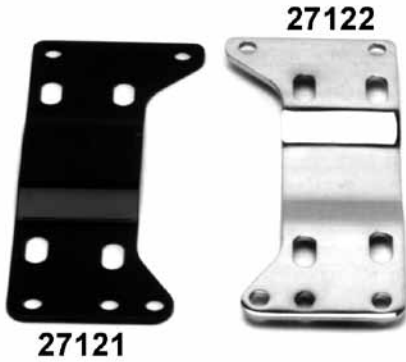
**Chrome FL-FXST Frame Cover**  
**45404** 1986-99 FL-FXST



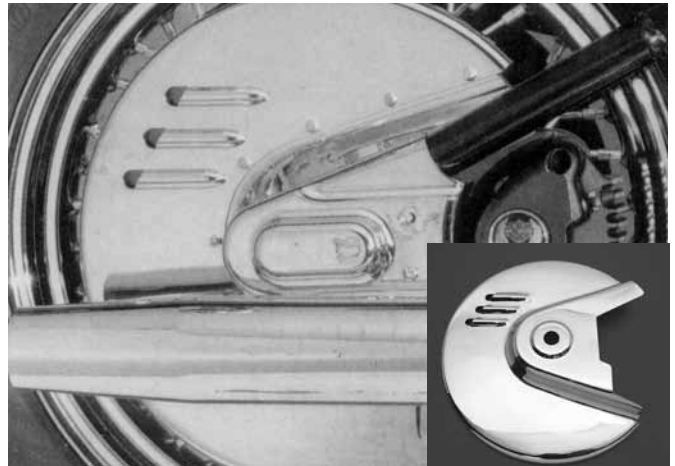
## Chrome Rear Frame Covers for Softails®

These custom rear frame covers are used to hide the frame castings on the rear swingarm pivot section on stock belt drive frames. They are held in position by the exhaust pipe brackets and fender struts and are easily installed in minutes.

- PCP Fits**  
**45080** Rear frame covers 1986-99 (set)  
**4938** Pivot bolt covers 1986-99 (43897-86) (pair)



**Softail Transmission Mounting Plate 1986-99**  
**27121** Black (47698-86B)  
**27122** Chrome



**Rear Rotor Cover Cover for Softail® 1986-99**  
**45090**



**Softail Frame/Battery Cover**  
 Black formed plastic 1989-99  
**45413** 52215-89



## Rear Fork Parts FXST 2003-on

- PCP Item**  
**20517** Washer (47491-02A)  
**21013** Nut 2002-08 (47606-02)



## Chrome FXST Transmission Plate Kit 1986-99

- Kit includes transmission mount plate and installation hardware.  
**27127** Kit  
**9866** Hardware only

# FXST Swing Arm



## Chrome ST Rear Frame Covers

Bolt on to cover axle adjuster area on all softail frames 1987-99. Hardware and instructions included.

45323



## Colony Chrome Swing Arm Covers FXST 86-\*

Chrome plated covers add a smooth finished look when easily installed with a set screw. Sold in sets of 2.

72122 Softail 2000-on (except FLSTF, FXSTD)

72141 Softail 1986-99 (except FLSTS)



## Swingarm Pivot Bolt Covers for Softail®

A selection of chrome-plated covers for the swingarm pivot bolts on all Softail® models (except Fat boy®) from 1984 to present. These cover sets are functional as well as attractive and are available in two different styles. They are held in place with set screws and look great when installed in conjunction with PC #45080 chrome rear frame covers. Sold in pairs.

8938 Smooth style 1986-99 (43897-86)

8939 Amber reflectors 1986-99

44061 Smooth style 2000-on (43462-00)



## T/L Chrome Decorative Pivot Bolt Covers

Chromed die-cast covers feature black type and include allen head set screws. Sold in pairs.

**PCP Application**

61228 2000-07 Softail models except FLSTF, FXSTD and models using passenger floorboard kits OEM# 50602-00 or 50955-00 (43468-00)

61229 1984-99 Softail models except FLSTS (43830-96)



## T/L Billet Swingarm Pivot Bolt Cover Kits

Chromed billet aluminum bolt covers feature a raised profile with engraved emblem. Sold in pairs.

**PCP Application**

61226 2000-07 Softail models except FLSTF, FXSTD, and other models using passenger floorboard kits OEM# 50602-00 or 50955-00 (43314-01)

61227 All 1984-99 Softail models except FLSTS (43821-95)



## FXST Diecast Rear Pivot Covers (pairs)

44318

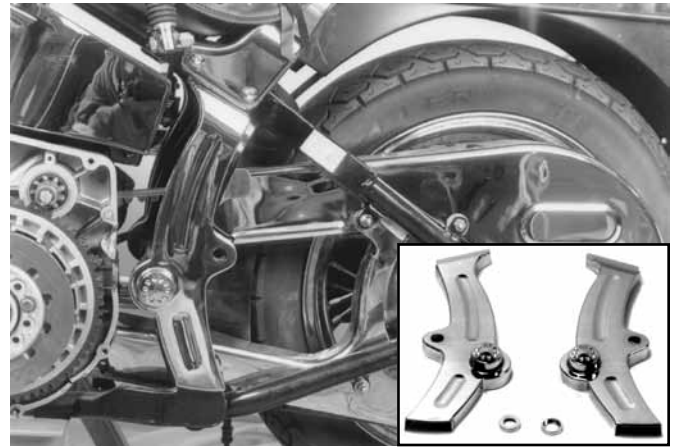
# FXST Swing Arm



## Chrome Frame Insert for Softails 1986-99

Four piece set fits into OEM Softail frames above and below Swingarm Pivot Bolt. Replaces 47300-88T. Comes with double sided adhesive tape beautifully chromed with bevelled edges.

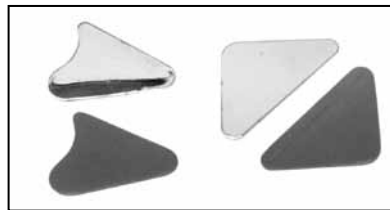
**45020** 4pcs (Made in USA)



## Chrome FXST-FLST Full Frame Covers

Fits frames 1986-99 to cover frame casting a pivot bolt head. Top fits under strut and is held on by the footpeg mount bolt.

**45429** Chrome plastic



## Frame Insert Set (Chrome)

Covers neck area of Big Twin frames 1948-E88, with key lock. Attaches with adhesive pads (included). Sold in pairs.

**45309**



## Chrome Tail Spurs

Dress up rear castings on 1986-99 FXST, FLST models. Contour steel covers fit behind adjusters to protect paint when axle is removed. Chrome adjuster nuts supplied.

**PCP Item**  
**21823** Spurs  
**43103** Adjuster kit



## Axle Plates

Made of polished stainless steel to protect axle area. (Pairs)

PCP	Models	Years
<b>43000</b>	FXST-FLST	1984-on
<b>43001</b>	FXR-FXRS	1982-on



## Rear Fork Bearing 2000-on Softail

**15753** (9270A) (sold each)



## Rear Fork Bearing 2002-on Touring

**15631** (9208) (sold each)

# FXST Swing Arm



## Rear Section Parts FXST 2000-on

PCP	Application
43208	(G) Chrome pivot shaft (47610-00)
21010	(H) Bushing (48048-00) (pair)
21011	(I) Spacer (48049-00) (pair)
15753	(C) Bearing only 2000-on (9270A)
43121	Chrome rear pivot kit with bearings
43256	Chrome pivot kit 2000-06 (47119-02)
11114	(D) Retaining ring (11282)
20515	(A) Left side pivot washer (6535)
20514	(B) Right side pivot washer (6534)
44061	Dome cover set (43462-00)
29161	(E) Bumper ( not for Deuce) (11514)
12633	Speed nut (8108) (10 pack)



## Pike Swing Arm Pivot Bolt Set

Includes chrome pike nuts and studs for 1989-99 FXST models.

73649



## Pivot Spacer Sets

4 Piece set fits FXST models.

**PCP Application**

43027 2000-06

43028 2007

43029 2008-on



## T/L Chrome Swingarm Frame Cover Kit

Chrome frame cover features a rubber self adhesive backing that allows the frame cover to be easily installed around the swingarm pivot. For the full chrome treatment kits include frame covers and pivot bolt covers.

**PCP Application**

64304 2000-06 FXSTD and FLSTF models using stock shotgun exhaust (48494-03)

64305 2000-06 Softail models except FXSTD, FLSTF, FLSTS and other models using passenger floorboard kits OEM# 50602-00 or 50955-00 (48490-00)

# FXST Swing Arm



## FXST-FLST Rear Pivot Hardware 1984-99

Fits 1984-99 Softails. Order hardware separately.

PCP	Item
15735	Bearing kit (9076) (4 pc)
11038	Snap rings (11158) (10 pk)
24005	Tapered allens (4961) (pr)
20520	Lockwasher for above (7142)
11702	Washers (43283-86) (pr)
27109	Chrome axis tube 1989-99 (48031-89A)
27140	Black axis tube 1989-99 (48031-89A)
43208	Chrome pivot shaft 2000-on (47610-00)



## Swing Arm Pivot Kit

Rebuild kit for all Big Twins. Includes all parts pictured.

2966	1973-85 FL, FLH, FX, FXE, FXS, FXWG
43203	1958-85 Special pin only
43255	1985-86 FXWG-FXE-FXB



## Chrome Pivot Kit for Softail 1987-99

Includes all parts shown.

43117



## Swing Arm Pivot Bolt Kit

Chrome plated custom domed head or hex head swingarm pivot bolts and internal tooth lockwashers used on 1984-99 Softail.

72205	Domed head
72215	Hex head



## 2000-07 Chrome FXST Pivot Assembly

Kit includes shaft, nut, and spacers.

43121	Complete kit 2000-06
43379	Flush mount shaft 2000-06
43354	Shaft kit 2000-07
43365	Shaft Kit 2008-on
15753	Bearing only 2000-on (9270A) (each)



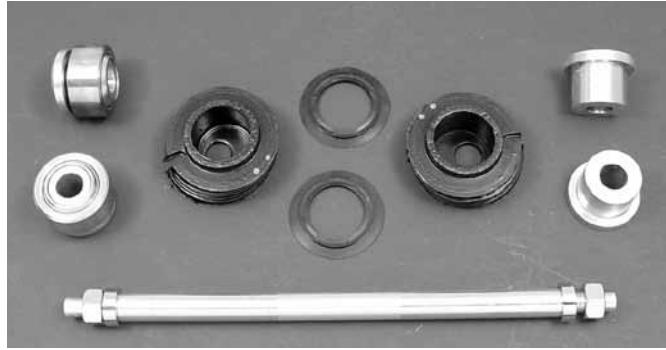
## Swing Arm Flange Nut

20108	2000-on (7479) (5 pack)
-------	-------------------------

# Touring Swing Arm



43206



## Swingarm Conversion Retrofit Kits 1982-02

For Touring models and replaces stock cleve block style swingarm bushings with spherical bearings that reduce friction at the swingarm pivot and lateral movement or torsion in the swingarm. Improves handling of Dresser models.

### PCP Item

43280 Retrofit kit with pivot bolt



43219



43281



## 5 Speed Swing Arm Bushing Kit

Replacement bushing kit includes all bushings, washers, spacers, and retaining rings required to repair the swing arm pivot on all 1982-02 FXR, FLT, FLHT, FLHS, and Road King models.

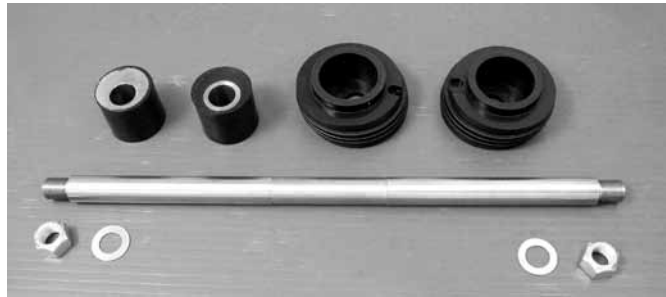
18631 Complete kit

## FLT/FXR Swingarm Mounting Kits

Kit includes 2 bushing assemblies, 2 spacers, 2 plastic retainer rings, 2 rubber isolators and pivot shaft with locknut. Includes all parts required to mount transmission and swingarm to pivot block. Will work with stock or aftermarket rubber mount swing arm frames for FLT- FXR models.

### PCP Year

43206 1982-02  
43219 2003-08  
43281 2009-on



## Iso Mount Swing Arm Pin Kit

Includes Iso sleeves and set for frame and side bushings for 1993-02.

43283



## Swing Arm Rebuild Bushing Set 1982-02

Includes machined nylon bushings to replace original bushing assembly. Order pin separately.

43218

## Rear Fork Bearing 2003-on

15631 9208 (each)



## Inner S/A Spacer

For 2003-on Touring models.

11861 (48489-02) (pair)



## Outer S/A Spacer

For 2003-on Touring models.

11860 (48487-02) (pair)

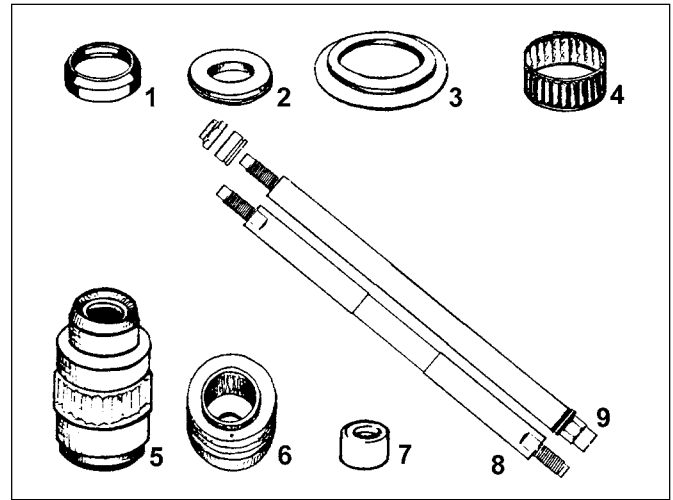


# Touring Swing Arm



## Swing Arm Pivot Bolts

PCP	Year	Model	Description
43204	1982-88	FLT-FXR	Zinc (47515-82A)
43205	1989-02	FLT-FXR	Zinc (47492-89A)
43209	2003-on	Touring	Black (47505-02)



## FLT/FXR Swingarm Rebuild Parts

#	PCP	Description
1	11101	Plastic retaining ring 1987-01 (47510-80) (pr)
2	16518	Spacer 1987-02 (47511-80) (pair)
3	16519	Nylon washer 1987-02 (47513-80) (10 pack)
4	11300	Bushing tolerance ring 1979-02 (47538-79) (pr)
5	18621	T/L Bushing assembly 1981-02 (47556-81)
	59970	Preston, as above
6	23101	Mounting bushing 2009-on (47584-09)
	23020	Rubber mount 1987-08 (47564-86B)
	23097	Preston, as above
	23101	Rubber mount 2009-on
	23019	T/L Rubber mount 1982-86 (47564-82)
	59969	Preston, as above
7	16520	Cupwasher 1989-02 (47491-89A) (5 pack)
8	43204	Shaft 1982-88 (47515-82A)
9	43205	Shaft 1989-02 (47492-89A)
	43209	Shaft 2003-on (47505-02)
N/A	21014	Nut 2002-08 (47606-07)
N/A	21024	Nut 2009-on (47606-09)



## Chrome Pivot Mount End Caps

PCP	Application
39160	1982-06 Touring
39161	2007-08 Touring

# FXR Frame Related



## Colony Chrome Swing Arm End Plates

Chrome plated end plates are replicas of OEM 41112-79. Fits FXR 1981-94 and FLT 1979-on.  
**72090**



## Chrome Engine Skid Plate for FXR

This chrome plated skid engine plate is designed to protect engine cases from road hazards. It covers the unprotected area on 1982-88 FXR models.  
**4903**



## Left Side Frame Cover for FXR

This chrome side cover fits FXR models 1985-on. Mounts below the stock left side frame cover providing a clean all chrome look. Mounting hardware included. (47309-88T)  
**3169**



## FXR Swingarm End Cap Covers

Chrome covers for the swingarm pivot end caps on the 1982-on FXR. This is an easy way to dress up the sides of the bike.  
**44320** 1982-89 (47850-88T)  
**44321** 1990-94 (47850-90T)



## Chrome Side Covers for FXR 1982-94

Chrome-plated steel side covers to replace the standard plastic covers. Fit all FXR-FXRS models from 1982-94. Replaces (66351-82 (left), 66356-82 (right)).  
**3243** Complete set



## FXR Swing Arm End Caps

Fits 1981-93 models.

PCP	Application
<b>21019</b>	Left (47825-81)
<b>21020</b>	Right (47826-81)
<b>21021</b>	Chrome plug (67865-89)(5 pk)
<b>10117</b>	Roll pin (604) (10 pack)



# FXD Swing Arm



## Dyna Swingarm Bushing Kit 1991-on

Sold in a kit as shown.

**71004** Fits all models 1991-on



## Chrome Swing Arm End Plates & Custom Wheel Adjuster Hardware

Fits all Dyna models 1991-on.

Replaces 41113-90.

**72000** End plates & adj. hardware

**72001** End plates only (pr)

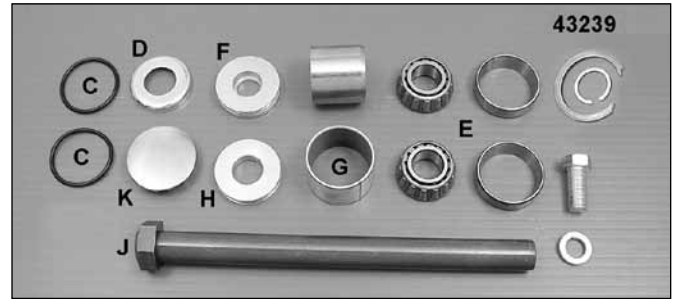
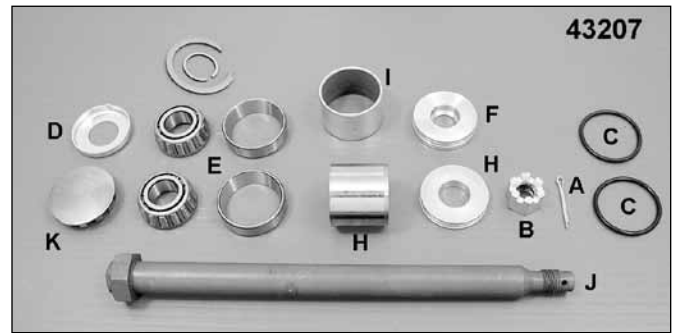
**9987** Adjuster hardware only



## Chrome Swing Arm Axle Cover

Fits Dyna models.

**64011** 2000-01



## FXD Swing Arm Rebuild Parts

For all 1991-on Dyna. Complete kits include items A-K, as needed only.

PCP	#	Item
<b>43207</b>	A-K	1991-99 Complete kit
<b>43239</b>	A-K	2000-05 Complete kit
<b>43241</b>		2006-on Complete kit
<b>10201</b>	A	1991-99 Cotter pin (534)
<b>12645</b>	B	1991-99 Nut (7734W)
<b>14519</b>	C	1991-on O-ring (11139)
<b>21016</b>	D	1991-on Dust shield (41585-90)
<b>15561</b>	E	1991-on Bearing assembly (47082-81)
<b>21017</b>	F	1991-on Spacer, left hand (47496-90)
<b>21018</b>	G	1991-on Spacer, right hand (47499-90)
<b>21015</b>	H	1991-99 Washer (47565-90)
<b>18710</b>	I	1991-on Bushing (47624-90A)
<b>43237</b>	J	1991-99 Pivot bolt (47817-90)
<b>43238</b>	J	2000-on Pivot bolt (47817-00)
<b>43244</b>	J	2006-on Pivot bolt (47641-06)
<b>44062</b>	K	1991-on Plug, chrome (67859-90)

# Sportster Swing Arm



## XL Swing Arm Rebuild

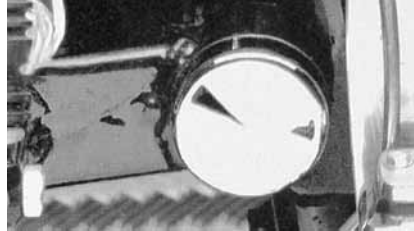
Kits include black pin, screw, spacer, bushing, bearing, and dust covers.

PCP	Item
43242	Pivot bolt kit 1981-97
43266	Pivot bolt kit 1998-03
43282	Pivot bolt kit 2004-on
21001	Bolt and nut kit 1981-03 (41658-81B)
21023	Bolt and nut kit 2004-on (41698-04)
21002	Dust cover (41579-81) (each)
21003	Bushing L/S 1981-03 (47083-81) (each)
15561	Bearing R/S 1981-97 (47082-81) (each)
15759	Pivot bolt right bearing 1998-03 (48367-98)
15760	Pivot bolt right bearing 2004-on (9209)



## Chrome Pyramid Axle Adjuster

PCP	Application
5586	Ends only XL 1979-96, FL-FX (not FXST) 1973-85 (41532-89T) (pr)
27372	XL 1997-on



## XL Swing Arm Pivot Bolt End Cap

Chrome diecast cover screws on over the swing arm pivot bolt on XL 1982-on models.

44105

## 440 Series I.A.S. Shocks (Inertia Active System)

I.A.S. allows the shock to respond better to sudden movements of the rear wheel without transmitting the jolts to the rider. The inertia sensitive dampening system optimizes handling and comfort. The inertia valve determines whether the wheel circuit or the chassis circuit is utilized. All circuits are velocity sensitive. Shocks feature polished and anodized billet aluminum end covers, easy adjustable spring pre-load and high pressure gas charged for fade free operation.

### 440 Series - Standard Series

Model	Stock	11.0	12	12.5	13	13.5
5 Speed all FLT 1980-04	13"	-				
FXR-FXRS 1982-86	12.5"	83601		83607		83609
FXLR 1987-94	13"	83601		83607		83609
FXR/FXRS 1987-94	13"	83601		83607		83609
FXR-SP/CONV 1987-94	13.5"	83601		83607		83609
FXRT 1983-92	13"	83601		83607		83609

### Dyna Glide 1991-04

Model	Stock	11.0	12	12.5	13
FXD/B/C 1991-92	12"	83610	83612	83613	83614
FXDL 1993-00	12.5"	83610	83612	83613	83614
FXD 1995-00	12.5"	83610	83612	83613	83614
FXDS-CON	13"	83610	83612	83613	83614
FXDWG 1993-99	12.5"	83610	83612	83613	83614
FXDX 1999	13"	83610	83612	83613	83614

### 440 Series - Heavy Duty Series

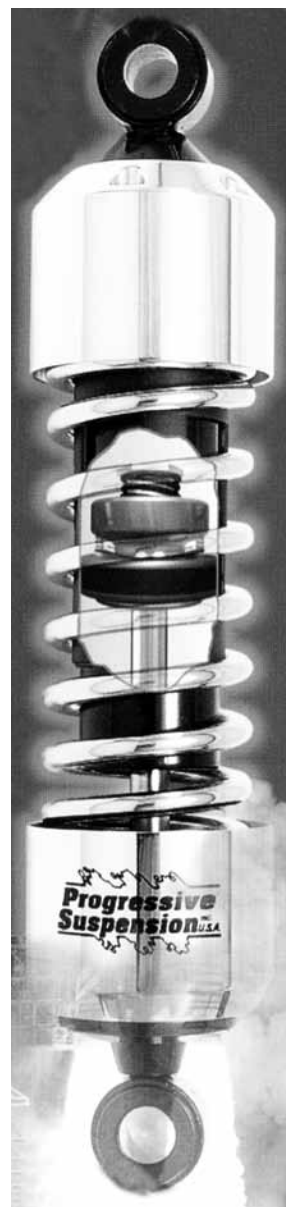
Model	Stock	13
FXR-FXRS 1982-86	12.5"	83627
FXLR 1987-94	13"	83627
FXR/FXRS 1987-94	13"	83627
FXR-SP/CONV 1987-94	13.5"	83627
FXRT 1983-92	13"	83627

### Dyna Glide 1991-04

Model	Stock	11.0	12	12.5
FXD/B/C 1991-92	12"	83629	83631	83632
FXDL 1993-00	12.5"	83629	83631	83632
FXD 1995-00	12.5"	83629	83631	83632
FXDS-CON	13"	83629	83631	83632
FXDWG 1993-99	12.5"	83629	83631	83632
FXDX 1999	13"	83629	83631	83632

### Sportster

Model	Stock	13
XL 77-87, 883 Hugger 88-91	12.5"	83627
XL 883/1200 STD. Dil. 88-93	13.5"	83627
883 Hugger/1200C 92-00	11.5"	83627



### Progressive Suspension Adjustable Softail Chrome Shock Mounts

Fits 2000-on models. Installs on the stock shock and offers easy adjustment from stock ride height to two inches lower.

**27304** 2000-on  
**27305** 1989-99

# Progressive



**413 Series 2000-on FXST Shocks 2" Adjustable**  
Shocks are fully assembled with an adjustable internal spring, multi-stage, velocity sensitive internal valving and hydraulic anti-bottoming for a smooth ride.

**83599** 413-4037G 2000-on (gold/zinc)



## 412 Series Sportster Shocks

PCP	P.S.	Application
<b>83562</b>	412-4009	13.5" Fits XL 1977-on

## 412 Series Dyna Shocks

PCP	P.S.	Application
<b>83576</b>	412-4036C	12" Stock length Dyna 1991-04
<b>83575</b>	412-4037C	11" 1" Shorter than above



## Progressive Suspension Fork Springs

These quality replacement forks are recommended for use with Progressive shocks to improve stability, cornering and ride comfort.

PCP	Length	Application
<b>82002</b>	41mm	All FXST, FXDWG, FXWG, FL, FLHT, FLTR 1980-01, FLHR 2002-05
<b>82003</b>	39mm	FXRS-SP/Conv 1987-93; FXRT 1988-93; all Dyna (not FXDWG)
<b>82001</b>	39mm	FXLR 87-94; FXR, FXRS 88-94; XL 88-03 (except 92-03 Hugger)
<b>82004</b>	39mm	XL Hugger 1992-03
<b>82000</b>	35mm	FXR 82-87; FX 71-86, XL 71-87, V-Rod 2002-05, XL 2004-05



## Fork Springs by Progressive Suspension Inc.

These springs eliminate front end sag, reduce nose dive under braking, improve stability and increase rider comfort.

<b>82000</b>	35mm	1982-87 FXR, 1971-87 XL, 1971-86 FX
<b>82001</b>	39mm	1987-94 FXLR, 1988-03 Sportster, except Hugger and 1200S, and 1988-94 FXR/S (except Convertible™, Sport Edition & FXRT)
<b>82002</b>	41mm	forks on all 1980-86 Softails and FXDWG, 1980-86 FXWG, 1980-01 and 2006-07 FLHT, FLTR and 2002-07 FLHR
<b>82003</b>	39mm	1987-1993 FXRS Sport /Convertible Edition, 1988-93 FXRT and all dyna except FXDWG
<b>82004</b>	39mm	XL Hugger 1992-03

# Shocks



## 1" Lower Rear Shocks

These shocks with chrome plated springs and body caps can be used to lower the seat height by 1". Shocks feature a suspension preload that is adjustable for rider and passenger load. Does not lower XL Hugger or Custom models.

**65312** T/L 1991-03 Sportster (Not XL 1200S) (54733-04)  
**59712** PCP as above



## Chrome FXD-FXDWG Shock Set

Will lower bike 1". Center to center distance noted. #83507 Does not lower 2001-05 FXDL.

PCP	Year	Length
<b>83507</b>	1993-05 (54594-03)	11.5"
<b>59712</b>	2006-on	11.75"
<b>83528</b>	2006-on	10.5"
<b>83529</b>	2008-on FXDF	



## FXST Dura Adjustable Shock Assemblies

Feature full chrome finish with up to 1" lowering capability.

**83506** 1984-88  
**83503** 1989-99  
**83504** 2000-on



## FXST Adjustable Chrome Shock Sets

Bolt kit sold separately.

PCP	Application
<b>83526</b>	1989-99 Shock set
<b>83527</b>	2000-on Shock set
<b>73629</b>	1989-99 Bolt set
<b>24058</b>	2000-06 Bolt set

## FLST-FXST Shock Stud Kit

Includes 4 bolts and 4 washers.

PCP	Application	Finish
<b>24048</b>	1984-99	Zinc
<b>24051</b>	1984-99	Chrome
<b>24058</b>	2000-06	Chrome



# Shocks



## Revolution Softail Rear Shocks (Black)

These shocks are made in Japan, same as the OEM. Fits all 1989-99 Softail models. Replaces OEM 54508-89A.

**65305**



## Low Profile Touring Shock Sets

These shocks allow the lowering of seat height on Touring models by as much as 3/4" while maintaining air adjustability. Fits FLT, FLHT, FLHS, FLTR and FLHR 1997-on. Does not lower FLHR or FLHX.

**65314** 1997-08 (54631-02B)

**65317** 2009 Touring models (stock on 2009 FLHX, FLTRSE3) (54635-09)



## Revolution Low Profile Rear Suspension

These fully chromed shocks lower the seat height by 1". Compatible with OEM low profile front suspension on FLST/F/N models. also fits Softail 1989-99 including 1997-99 FLSTS.

**65306** 1989-99 (54588-94)



## Softail 2000-on Rear Shocks

Shocks feature multi staged dampening and lower the seat height 3/4" to 1". Not for FXSTD or FXCW/C. Stock for 2005-on FLSTN, FLSTSB and 2007-on Duece

**65307** 54651-05

These fully chromed shocks lower the seat height by 1". Compatible with OEM low profile front suspension on FLST/F/N models. also fits Softail 1989-99 including 1997-99 FLSTS.

**65306** 1989-99 (54588-94)



## 2000-on Rear Softail Shock Parts

PCP	Description
<b>20514</b>	Washer, hardened right side (6534)
<b>20515</b>	Washer, hardened left side (6535)
<b>12633</b>	Speed nut (8108)
<b>15753</b>	Bearing, rear fork pivot (9270A)
<b>11114</b>	Retaining ring, fork bearing (11282)
<b>29161</b>	Bumper, rear fork (not Deuce) (11514)
<b>20109</b>	Shock locknut, flange (45764-00) (pair)
<b>43208</b>	Pivot shaft (47610-00)
<b>21010</b>	Bushing, rear fork (48048-00)
<b>21011</b>	Spacer, rear fork (48049-00)
<b>21012</b>	Shock bushing (56182-00A) (pair)
<b>20516</b>	Shock washer with grommet (56183-00) (each)



## V-Twin FLST-FXST Lowering Kits

Fully adjustable shock link for Softails. It's left hand threaded design allows adjustments in small increments from stock to the drop of your choice. Adjustment is accomplished with an open end wrench with no disassembly of shock required. #40503 lowers bike height while on bike.

PCP	Year
<b>40502</b>	1984-88
<b>40503</b>	1989-99
<b>40505</b>	2000-06

# Shocks



## Replacement Shock Sets

Complete shock with chrome springs.  
**83517** 1987-94 FXR, 87-94 FXLR (54502-87)



**65303**

## Sportster 1" Lower Shocks

Topline rear shock absorbers allow you to lower the seat height of your Sportster. Sold in pairs only. 12.5" in length and will create a reduction in seat height of about 1".

**PCP Application**  
**65301** 1988-90 XL 883 Std., Deluxe, XL 1200 (54568-82)  
**65303** 1991-on (54568-91)



## XL Shocks 1986-03

XL shocks feature chrome springs and are 11.75" from eye to eye to provide a 1" lower seat height.  
**59029**



## Shock Sets for FXR, FXS, FXRS, XL

Completely assembled shocks include cams, pistons and eye bolts.

PCP	Size	Years
<b>83509</b>	11.5"	1982-89

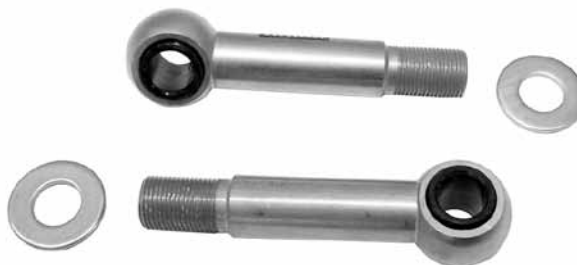


**65302**

## Sportster 2" Lower Shocks

11.75" Shocks fit XL 883 STD, Deluxe and XL 1200. Sold in pairs.

**65302** 1988-90 (54576-90)  
**65304** 1991-03 (54568-92)



## White Bros. Shock Lowering Kit

One piece design to fit Softails 1989-99. Shocks need to be loose for adjustment.

**40504** Set

**Warning!**  
 Installing a lowering kit or shorter shocks will decrease initial ground clearance. The motorcycle will be lower to the ground and care should be taken to avoid bottoming out, especially over bumps or turns.

# Shocks



## Dura AEE Series Shock Sets for FLH-FLHT

AEE series shock sets for 1980-2004 FLH-FLHT are nitrogen charged with multi stage dampening and adjustable spring load. All shocks are measured eyelet to eyelet and feature chrome springs and caps with black body. Stock length = 13" for FLH and 1983-94 FXRT, 1987-94 FXRS-FXLR. Stock length is 12.5" for 1984-94 FXRD.

11.5"	12.5"	13"	13.5"	14.25"
83521	83522	83523	83524	83525



## Chrome Low Touring Shocks

Shocks will lower the seat height up to 3/4". The air adjustability feature of the stock shocks is retained for a comfortable ride.

<b>PCP</b>	<b>Model</b>
83518	2002-on LT, FLHT, FLHS, FLTR, FLHR (54631-02A)
83519	1991-01 FLT, FLHT, FLHS, FLTR and FLHR (54631-98)



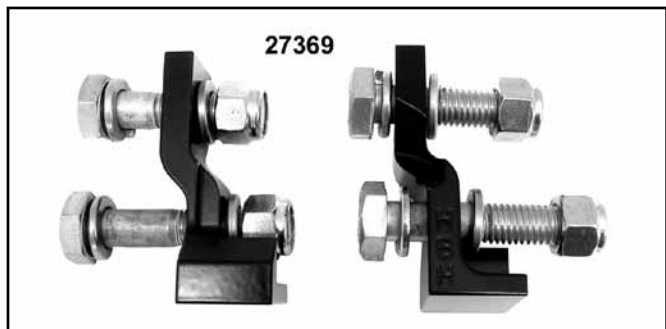
## Chrome Billet Shock Sets FXST 1989-99

Smaller diameter allows more room for custom installation.  
83508



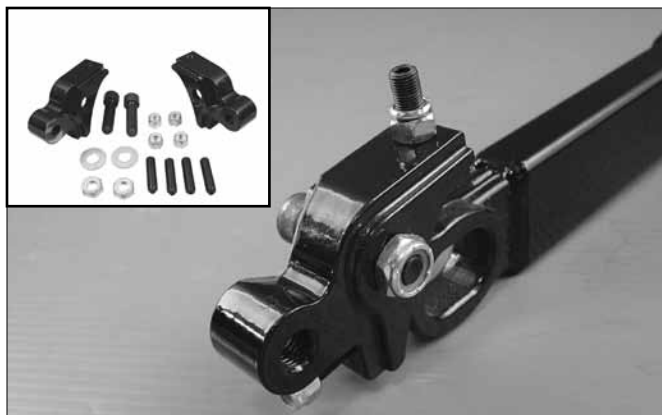
## Adjustable Softail Chrome Shock Mounts

Fits 2000-on models. Installs on the stock shock and offers easy adjustment from stock ride height to two inches lower.  
59569 2000-on



**Warning!**  
Installing a lowering kit or shorter shocks will decrease initial ground clearance. The motorcycle will be lower to the ground and care should be taken to avoid bottoming out, especially over bumps or turns.

# Shock Lowering Kits



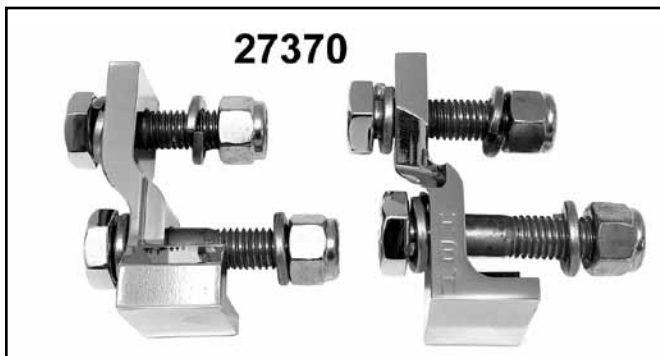
**27069 shown installed**



## Rear Shock Lowering Kits (Black)

These kits lower the rear shock area, shown as installed on a 1984-on FLT-FLHT. Includes instructions, hardware and brackets (black). Designed for adequate saddlebag and lower shock boot clearance on FLT's.

- 27037** 1985-96 FLT-FLHT, lowers 1-1/2"
- 27046** 1997-2001 FLT, lowers 1-1/2" except FLHRCI
- 27069** 2002-03 FLT, lowers 1-1/2"
- 27386** 2004-08 FLT, lowers 1"
- 27387** 2004-08 FLT, lowers 1.5"
- 27027** 1987-94 FXR, lowers 1"
- 27028** 1991-99 FXDG, lowers 1"
- 27060** 2000-05 FXDG, lowers 1"
- 27373** 2006-on FXD, lowers 1"
- 27039** 1986-99 XL, lowers 1"
- 27047** L1989-99 XL Chrome
- 27049** 2000-03 XL, lowers 1"
- 27091** 2000-03 XL lowers 1" Chrome
- 27369** 2005-on XL, lowers 1" black
- 27370** 2005-on XL, lowers 1" chrome

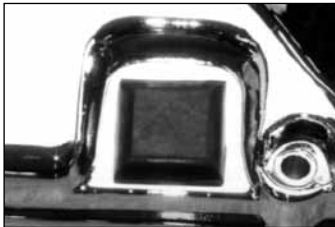


# Shock Hardware



## Shock Stud Covers for FXD & Sportster

PCP	Description
45058	XL 1982-90, FXR 1982-94 (54705-81)
45057	XL 1991-99 (not 1996-on XL 1200S) (54712-94)
45061	FXD 1991-99 (54341-96)
45572	XL 1991-03
45573	XL 2004-on (54724-04)



## Kickstand Bumper Pad

Kickstand bumper pad complete with adhesive backing to protect primary cover from the return of the jiffy stand. Fits all Big Twin 4-speeds 1970-92. (OEM 50100-70).

**23028** Sold in 5 packs



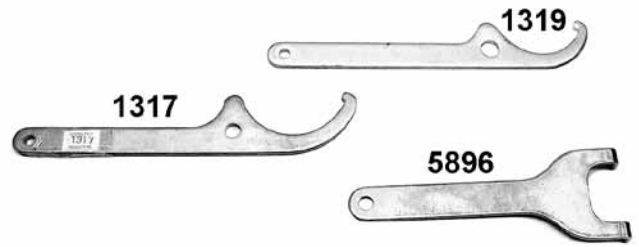
## Dual Shock Tool

Fits 1989-on FXST and 1979-on FX, XL.  
**26156**



## Shock Change Tool

Holds swing arm in position during shock change.  
**26157**



## Shock Spanner Wrenches

PCP	Model
1319	1979-on Sportster, (94409-78) 1979-on FXR-FLT (94448-82)
1317	1978-85 FL-FLH (94408-78) 1978-85 FX-FXE (94444-82)
5896	1989-on FXST-FLST (94455-89)



## FXST Shock Lowering Kit

**40500** FXST 1984-88

## Shock Tool FXST 1989-on

For use with 3/8" ratchet drive.  
**73648**



## Upper Shock Stud Kits (Zinc)

Sold as pictured. Fits FL, FX 4-speed models 1973-86.

**4623** 54515-73



## Lower Shock Stud Kits (Zinc)

Sold as pictured.

PCP	Description
4627*	FL, FX 4-speed models 1973-86 (3958)
4629*	XLX, XLS 1982-on (4081)
4630*	FXR 1982-on (1614)
9986	FXDG 1991-99 (Allen)

\*Note each kit has 2 chrome nugget nuts

# Highway Bars

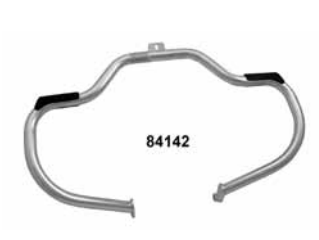
For Highway Bars Listed on this page.

**WARNINGS:** These Highway Bars are for cosmetic use only and will not provide leg or vehicle protection in the event of a low-speed fall. They are not made or intended to provide protection from bodily injury in a collision with an automobile or any other object.



## FLT-FLHR Touring Chrome Guards

PCP	Year	Models
84108	1984-87	FLT, HT, HS with air (49184-84A) (T/L)
84109	1984-87	Preston as above
84107	1988-96	All Touring (49184-88A) (T/L)
84111	1988-96	Preston as above
84121	1997-08	All Touring (49184-97) (T/L)
84143	1997-08	All Touring Mustache (49155-05) (T/L) (not FLTR or with fairing lowers)
84148	2009-on	All Touring (49184-09) (T/L)



## FLST Chrome Guards

PCP	Year	Models
84104	1986-99 1997-99	FLST, FLSTF, FLSTN (49004-90) FLSTS
84117	2000-on	FLSTC, FLSTF, FLSTS (49004-00) (T/L)
84131	2000-on	Curved style as above (49037-05) (T/L)
84142	2000-on	FLST/C/S/F/ Mustache (49150-05B)(T/L)



## Front Engine Guard Soft Covers w/Logo

Soft lowers feature an embossed emblem and fit front engine guards on 1980-83 and 1988-on FLHT, FLHX and FLHR models without fairing lowers. (Not for mustache engine guards)

29435 58525-95A

## FXD-FXR Chrome Guards

PCP	Year	Models
84139	1999-05	FXDX,FXDL w/foot board kit #50601-01 or #50580-01 (T/L) (49218-01)
	2001-02	FXDXT
	1996-00	FXDS-Convertible
84138	2006-on	FXD, FXDWG w/mid or forward controls and FLST/C/F/N/S (T/L) (49010-06)
84103*	1991-05	FXD Dyna, except FXDWG (49007-90)
84116	1993-08	FXDWG, FXDX (49010-93) (T/L)
84102	1982-94	FXR & FXR 199-00 (49017-82A)

Note\* (not for models with forward controls or floor boards)



## Front Engine Guard Soft Covers 1986-01

Quick releasing soft lowers feature an embossed emblem and fit front engine guards on 1986-01 FL Softail models using OEM# 49004-90 or 49004-00 engine guards. Cannot be used with extended reach brake pedal kits or mustache engine guards.

29449 58562-96



## Front Engine Guard Leggings 1980-on

Splash and weather shields which attach to front engine bar by easy close snaps. Made from heavy naugahyde. Not for use with mustache engine guards.

29406 FLT, FLHT (58502-80B)

# Highway Bars

**WARNINGS:** These Highway Bars are for cosmetic use only and will not provide leg or vehicle protection in the event of a low-speed fall. They are not made or intended to provide protection from bodily injury in a collision with an automobile or any other object.



## Lindby Custom Highway Bars with Footpegs

Features 1-1/8" tubing for front highway bars and 1" tubing for rear. Both front and rear have built-in o-ring footpegs. All rear highway bars will work with stock exhaust systems.

### Front Highway Bars

#### PCP Application

- 84123** FLTR 1998-on
- 84124** FLT, FLHT, Road King 1997-on
- 84125** FLT, FLHT, FLHS, Road King 5 speeds 1981-96
- 84132** FXST, FXSTS, FXSTD, FLSTS 2000-on
- 84122** FLSTC, FLSTF 2000-on
- 84110** FLSTC, FLSTN, FLSTF 1986-99
- 84127** FXDWG 1993-02
- 84126** FXD 1991-on
- 84128** Sportster 1986-03
- 84129** Sportster 2004-on

## FXST Chrome Front Engine Guard

### PCP Application

- 84118** 2000-on FXST, FXSTB, FXSTS, FXSTD (49016-00)
- 84140** 2000-on FXST/B/C/D/S and FXCW/C, not for extended reach kits OEM #49171-04 and 40223-04 (49200-07A)
- 84141** 2000-06 FX Softail models equipped w/OEM control kits # 49171-04 and 40223-04 (49078-04)
- 84101** 1972-86 FX-FXE-FXWG 1 1/4" T/L (49016-72D)  
1984-99 FXST/C/S/SB (not FXR)
- 84119** Preston as above



## Lindby Rear Highway Bars

### PCP Application

- 84009** FXST, FLST 1996-on



## Foot Peg to Bar Clamp Kit

Fit 1-1/4" engine bars to mount male peg sets.  
27394

## Chrome Mustache Front Engine Guard

Features integrated rubber pads for foot rests.

### PCP Model

- 84144** 1986-99 FLST
- 84145** 2000-on FLST
- 84146** 1997-08 FLT (not FLTR or with fairing lowers)
- 84147** 2009-on FLT (not FLTR or with fairing lowers)



# Highway Bars

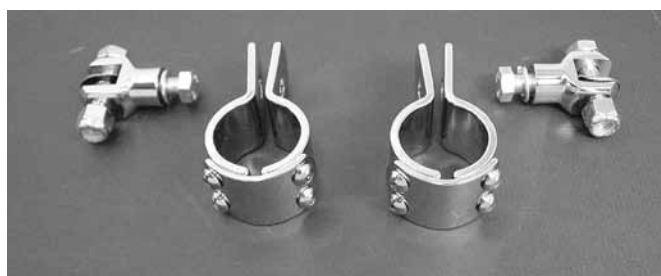
For Highway Bars Listed on this page

**WARNINGS:** These Highway Bars are for cosmetic use only and will not provide leg or vehicle protection in the event of a low-speed fall. They are not made or intended to provide protection from bodily injury in a collision with an automobile or any other object.



## Mega Peg Set for 1-1/4" Engine Bars

Pegs feature a billet clamp set to attach to 1-1/4" engine bars. **59530**



## Footpeg Mount Kit

Allows male type pegs to be mounted to a 1-1/4" diameter engine bar. **39129**



## T/L Adjustable Engine Guard Peg Clamp Kit

Chrome plated clamp attaches pegs to 1-1/4" front engine guards while the arm locks the peg in place. This kit allows a 360 degree adjustment of highway pegs to accommodate for any rider. Fits 1-1/4" front engine guards except on VRSC models. Footpegs are not included. **64297 50832-07A**



## Sportster 1-1/4" Diameter Engine Guard

PCP	Year	
<b>84106</b>	1986-03	T/L (49018-88C)
<b>84113</b>	2004-on	T/L with smooth flowing curved profile (49060-04)
<b>84149</b>	2004-on	Preston as above
<b>84150</b>	2004-on	Mustache style with pads



## Chrome Dual Fog Lamp Kit

Features flat oval diecast lamps with 55 watt halogen bulbs. Chrome alloy clamps fasten to 1-1/4" engine guards. Not for FLTR 1998-on, Softail 2000-on with nostalgic mustache guard. **66122 Set**

# Highway Bars

For Highway Bars Listed on this page

**WARNINGS:** These Highway Bars are for cosmetic use only and will not provide leg or vehicle protection in the event of a low-speed fall. They are not made or intended to provide protection from bodily injury in a collision with an automobile or any other object.



**84014**



## Engine Guard with Footpeg Mounts

These new engine guards are constructed of heavy gauge 1" tubing and triple chrome plated. Blind studs inserted into the tube provide multiple (4) position footpeg mounts and eliminates the need for clamps. Fits FLST, FLSTC, FLSTF 1986-99. Kit includes engine guard, triangle footpeg brackets and mounting hardware, order footpegs separately. **84112**

## Chrome Rear Frame Bars (no reflectors)

- | PCP          | Model  |
|--------------|--|
| <b>84003</b> | 1986-99 FXST, FLST (not FLSTS/N/F)<br>1990-93 FLSTC (49158-89D)  |
| <b>84012</b> | 1997-on FLHT/R, FLHR, FLHR/CI (49201-97,<br>49205-97) (w/bags)   |
| <b>84013</b> | 1997-on FLHTC, also fuel injected (49202-97,<br>49203-97) (w/bags)   |
| <b>84014</b> | 1997-on FLHR/I, FLHT, FLTR/I (no rail) (49087-01)  |
| <b>84015</b> | 1997-on FLHTC/U/I (no rail) (49088-01)   |
| <b>84016</b> | 2000-05 FXST-FLST (not FXSTD-FLSTF-FLSTS)<br>(2000-on FLSTC models require saddlebag<br>relocation kit OEM# 90238-00) (49261-00) |

**Note:** Tool box kits will not fit with these bars.  
85015 will not work when saddlebags are installed on guards



**84135**

## Nerf Bars

Feature an integral peg area with provisions for spot lamps.

- | PCP          | Application  |
|--------------|--------------|
| <b>84135</b> | 1986-99 FLST |



**84008**

## Heritage Springer Rear Dresser Bars (USA)

1950's style chrome bars include mounting hardware but require saddlebag relocation kit.

- |  |                           |
|--|---------------------------|
| <b>84008</b>                               | FLSTS 2000-03 (49258-00A) |
| *Requires bar relocation kit OEM# 90238-00 |                           |



## Chrome Billet Engine Bar Foot Peg Mount

Fits on 1-1/4" engine bars (except VRSC and XL 2004 and Softail nostalgic guard) to accept male pegs on front engine bars.

- |              |          |
|--------------|----------|
| <b>59204</b> | 50957-02 |
|--------------|----------|

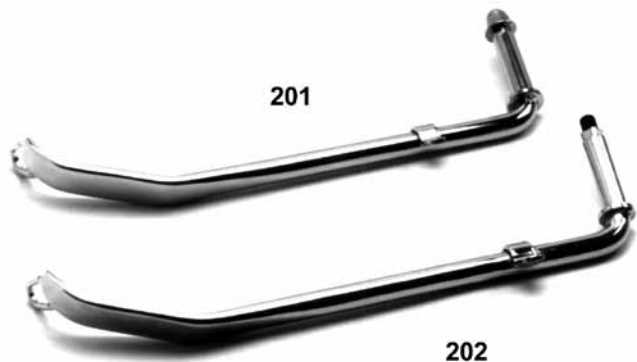
## Chrome Billet Engine Bar Foot Peg and Mount Kit

Chrome for front engine bars. Fits on 1-1/4" engine bars with male pegs (except VRSC and XL 2004-on)

- |              |     |
|--------------|-----|
| <b>59222</b> | Kit |
|--------------|-----|



# Side Stand



## Original Style Kickstands

Fits 74: & 80" 4-speed models 1936-88 (OEM 50061-36).

- 201** Stock length
- 43220** For 2"-4" over forks
- 202** For 4"-6" over forks



## Weld-On Kick Stand Assemblies

Features weld-on type heavy duty mount, chrome spring and chrome kickstand with forged flat end.

**43394**



## Weld-On Kick Stand Assemblies

Features chrome stand with hidden spring. Units fit tube size as noted.

- | PCP          | Size   |
|--------------|--------|
| <b>43390</b> | 1-1/8" |
| <b>43391</b> | 1-1/4" |
| <b>43395</b> | 1-3/8" |
| <b>43392</b> | 1-1/2" |



## FXR Jiffy Stand Unit

Chrome plated stock replacement kickstand. Chrome kickstand with mounting pin (50069-82).

- | PCP          | Application                                       |
|--------------|---|
| <b>699</b>   | 1982-90 FXR/S/LR kickstand (50069-82)             |
| <b>10170</b> | 1982-90 All FXR kickstand pin (50009-82)          |
| <b>13230</b> | 1982-90 All FXR k/stand spring, chrome (50011-30) |
| <b>66000</b> | T/L 1991-94 FXR/S/LR (50031-91) USA               |
| <b>27390</b> | As above, Preston (50031-91)                      |
| <b>10169</b> | 1991-94 all FXR kickstand pin (50009-91)          |
| <b>13255</b> | 1991-94 All FXR k/stand spring, chr. (50005-85A)  |



## FXST Chrome Stock Length Kickstand

Features a ball tipped built-in extension arm that makes the stand easier to use.

- 43267** 1989-06
- 27393** 2007-on

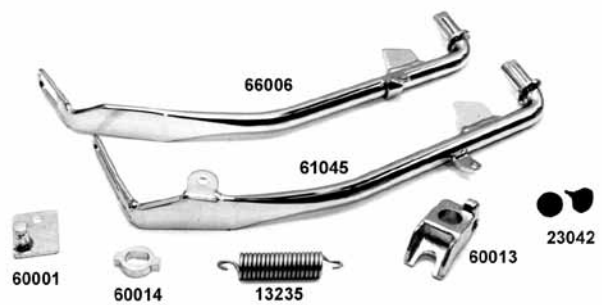


## FXST Deluxe Chrome Stock Length Kickstand

Features a ball tipped built-in extension arm that makes the stand easier to use. Fits all 1989-06 FXST models.

**66011**

# Side Stand



## FLT Jiffy Stand 1991-on

PCP	Description
61037	Kit 1991-98 (with Black Spring only)
61036	Jiffy leg 1991-06 (50075-91)
61035	Chr. mount bracket 1981-on (50078-81)
27307	As above Preston (50078-81)
60003	Chrome leg stop 1991-99 (50015-74A)
23030	Rubber bumper 1985-00 (50059-85A)
13229	Black spring 1986-98 (50005-85A)
13255	Chrome spring 1986-98 (50005-85A)
13242	Black spring 1999-06 (50112-99)
13243	Black spring 2007-on (49725-07)

## Dyna Jiffy Stand 1991-on

PCP	Description
66006	Chrome stand all Dyna 1991-on and FXD/L/WG 1993-97 (49704-90F)
61045	Chrome stand FXDS-Con 1995-99 (49710-94A)
60001	Stand anchor all Dyna 1991-97 (47303-91)
60017	As above, all Dyna 1998-99 (47318-98)
60014	Stand catch all Dyna 1991-01 (50053-90)
60013	Pivot block Dyna 1991-01 (49720-90)
13235	Spring, zinc Dyna 1991-99 (50057-91)
23042	Rubber bumper FXDS 1995-99 (pair) (62123-66)



## FLT Chrome Jiffy Stand Kit

Kits include jiffy stand leg, spring, bracket and bumper stop with mount hardware.

43235	1983-90
43236	1991-06

## FLT Chrome Jiffy Stand

27244	FLT 1983-90 (50075-83A)
27245	FLT 1991-06 (50075-91)
27391	FLT 2007-on (50076-07)



## FXST Jiffy Stand 1989-99

PCP	Description
61044	Kit as pictured with black spring
66008	Chrome jiffy leg (50087-89A)
60015	Chrome leg bracket (50018-85)
60016	Chrome spring bracket (50028-91)
27308	As above (imported)
13229	Black spring 1986-06 (50005-85A)
13255	Chrome spring (50005-85A)
60003	Chrome leg stop (50015-74)
23042	Rubber bumper (62123-66) (pair)

## Chrome Jiffy Stands

66006	1991-99 FXD/L/WG (49704-90B)
61106	1983-90 FLT (50075-83B)
61036	1991-06 FLT (50075-91)
66008	1989-99 FXST (50087-89A)
27198	1989-99 FXST stock (Preston)
43268	1986-06 FXST, 2" lower

# Side Stand



## Sportster Jiffy Stand 1989-99

PCP	Description
10181	Pin (50003-89B)
13255	Chrome spring (50005-85)
13229	As above, black (USA)
43216	Chrome stand 1989-03 (50006-89)
18715	Bushing set 1989-03
43223	Stand for Hugger w/lower shocks 92-03 (50072-92)



## Sportster 2004-on Kickstand

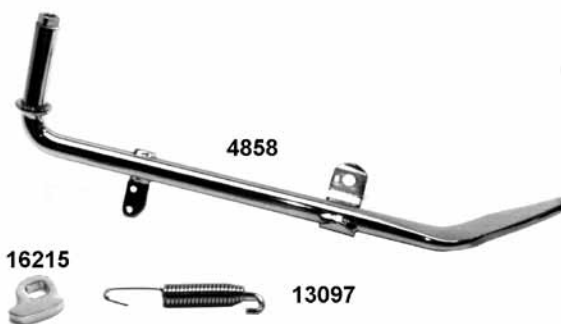
21724	Stock (50185-04)
27400	1" lower stand (50238-07)



## Kickstand Extension Kit

Features easier access to Jiffy stand, but tucks in close to primary case when folded up. Hardware included for mounting. Requires drilling a 1/4" hole through the kickstand. Replaces 50055-90.

27162 FLT/HT/HS/HR/C 1984-on, Softails 1986-on



## Sportster Kickstand 1984-88

Fit 1984-88 Sportster 883-1100 1200 in chrome.

PCP	Item
16215	Catch 1984-88 (50038-84)
13097	Spring 1984-88 (41836-84)
4858	Stand 1984-88 (50006-84A)
43215	4"-6" stand 1984-88



## Kickstand Extensions

Will allow rider to more readily access side stand.

27273	FXD 1993-on (not FXDS-CON, FXDWGZ and 2001 FXDL (50214-98)
27274	XL 1984-03, 1992-03 XL STD,DLX,1200/S & 883 (not Huggers or 1200C) (50212-98)
27399	XL 2004-on (50250-04)
27280	Softail 1986-06, FLT/HT/HR/HS/RC 1984-on (50233-00)

# Side Stand



## Chrome Jiffy Stand Dyna 1990-on

Fits FXD, FXDWG and FXDL 1990-on.

- 43234** Stand, stock (49704-90C)
- 59933** Stand, 1" under
- 13256** Spring 1991-01 (50057-91)
- 13261** Spring 2002-on (50057-02)
- 60014** Catch 1991-on (50053-90)

## Jiffy Stand Kit Assembly

Chrome as shown with all parts necessary for installation.

- | PCP          | Application              |
|--------------|--------------------------|
| <b>1225</b>  | BT FL, FX, FXWG 1984-85  |
| <b>43221</b> | As above, extended 2-4"  |
| <b>43222</b> | FXST 1984-99 stock       |
| <b>43265</b> | FXST 1984-99 1" under    |
| <b>9617</b>  | Chrome mount kit 1936-99 |



## Chrome Kickstand Tab Kit

Kit includes washer, spring, acorn nut and tab. Fits 1980-98 FLT.

**59137**



## Kickstand Bumper Pads

- | PCP          | Application                                      |
|--------------|--|
| <b>23028</b> | 1970-86 BT, FXST 1984-88 primary (50100-70) (5)  |
| <b>23030</b> | 1985-00 FLT for 1" frame bumper (50059-85A) (ea) |
| <b>23051</b> | 2000-on FLT toe end (50245-99A) (each)           |
| <b>23029</b> | 1990-on XL frame bumper (62122-89) (5 pack)      |
| <b>23042</b> | 1993-on BT toe end (62123-66)(pair)              |
| <b>23035</b> | 1991-on FXD for 1-1/8" frame (50054-90) (each)   |
| <b>23088</b> | 2001-on FXD/L/WG frame bumper (50054-01)         |

## Chrome Custom Kickstand Kit

Fits 2 bolt mounting. Kit includes stand, spring, mount and tapered bolts. Bolts to forward controls or to frame behind primary.

- | PCP          | Application                     |
|--------------|---------------------------------|
| <b>43232</b> | 1986-99 FXST-FLST lowered bikes |
| <b>43258</b> | 1986-99 FXST (short)            |
| <b>43259</b> | 1986-99 FXST (hidden)           |
| <b>43233</b> | 1982-94 FXR                     |



## FLST Chrome Extended Jiffy Stand 1986-99

**43220** Extended 2" to 4"

# Side Stand



## “Full” Lowering Kits

Includes components to lower the front and rear of FXST models. Each kit includes shorter damper rods, 1” shorter kickstand and adjustable rear shock lowering set. The front of the FXST is lowered 2.5” and 2” on FLST models. Rear is adjustable up to 1.5” on 2000-on models and up to 2” lower on 1989-99 models, using stock shocks.

### PCP Application

**82092** 1989-99

**82093** 2000-06



## 1980-99 FXWG-FXST Kickstand Assembly

Features chrome steel construction with hidden spring mechanism.

**43260**



## FXST Short Chrome Custom Kickstand 1986-99

**43258** Kit includes stand, spring and mount

Note: When installing these kits, you **must** check ground clearance and tire to fender clearance.



## Chrome Contour Kickstand Legs

Includes lock tab.

**PCP Item**

**43262** 1989-99 FXST models



## FXST Chrome Custom Kickstand 1986-99

**43259**



## Custom Jiffy Stand Assembly

Features full forged construction with chrome smooth contour design, including recessed mount screws for 1936-86 BT, 4 speed and 1984-99 FXST models. Stock length.

**59206**



## Wyatt Gatling Big Twin Kickstand Assembly

Features adjustable leg and hidden spring. Mounting is by 3 bolts on left front frame boss.

**43261**

# Side Stand



## Chrome Smooth Jiffystand Bracket

One piece forged design with recessed mount hardware  
**59205**



## Chrome Jiffy Stand Bracket Cover

Chrome cover hides the stock black bracket on 1996-07 Touring models. Cover works with fairing lowers. No hardware is supplied with this cover.

**29676** 50251-01



## Brake Shifter and Kickstand Mounting Screws

Allen screw kit fits 2000-on FXST and FLST.

**72049**

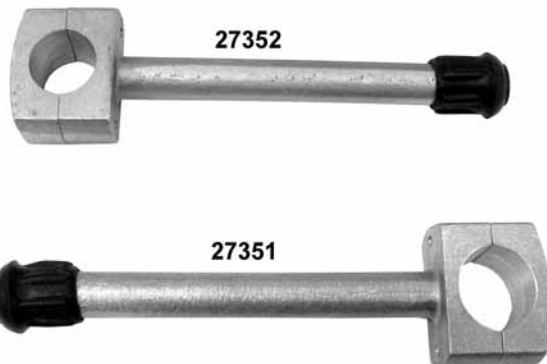


## T/L XL Jiffy Stand Extension

Chrome plated extension makes your jiffy stand easier to find when parking your bike.

### PCP Application

**27274** 1984-03 XL except 883 Hugger and 1992-99 XL Custom models (50212-98)



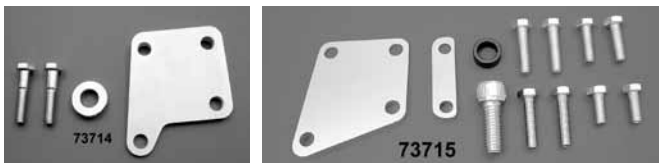
## Frame Mount Kickstand Stop

For use on all open belt Big Twin by clamping to frame tube. Cut to desired length.

### PCP Size

**27351** 1-1/8" I.D.

**27352** 1" I.D.



## Angle Plate

Fits FLT kickstands 1981-on with longer forks.

### PCP Item Finish

**73714** Plate Alloy

**73715** Kit Chrome



## BT Complete Chrome Kickstand Mounting Kit

4 Piece kit includes kickstand mount spring, leg stop and spring plate.

### PCP Application

**27353** 1984-99 FXST

**27358** 1986-99 FLST

# Kickstand Hardware



13230



13097



204



4398

206



205

## Kickstand Springs

### PCP Description

- 13230 BT 36-85, FXR 82-90, chrome (50011-30)
- 13233 As above black
- 13097 1984-88 Sportster, chrome (41836-84)
- 13255 Softail 1986-06, Sportster 1991-on, FXR 1991-94, FLT 1985-98 chrome (50005-85A)
- 13229 As above, black 50005-85A)
- 13242 FLT 1999-06 (50112-99)
- 13257 FLT 2007-on (49725-07)
- 13256 Dyna 1992-01, chrome (50057-91)
- 13235 Dyna 1992-01, zinc (50057-91)



27307



27340



27160

## Big Twin Chrome Kickstand Hardware

### PCP Description

- 4398 Mount bracket w/ spring tab 1936-86 (50041-80)
- 204 Mount bracket 1936-86 (50049-36, 50014-58)
- 27160 Mount bracket, FLST 1989-99 (50018-85)
- 27161 Mount bracket, FXST 1986-99 (50041-85)
- 205 Spring plate BT 1936-86, FXST 1984-90 (50036-36, 50028-74)
- 27308 Chrome spring plate 1991-06 FXST (50028-91C)
- 206 Leg stop 1936-86 BT and Softail 1984-03, FLT 1980-03 (50094-36, 50015-74)
- 27307 Mount bracket FLT 1981-on (50078-81)
- 27340 Mount bracket 2009-on



## BT Adjustable Kickstand Stop

The chrome steel kickstand stop eliminates the need for glue on rubber bumper pad while protecting the primary case. A nylon tipped set screw allows easy adjustment for proper kickstand position. Fits FL/FX 4 speed 1958-84 (not FXWG) & FXST 1989-99

27141



## Acorn Kickstand Mounting Kit

Fits Big Twin 4 speed 1936-86 except softail models.

1803



## Jiffy Stand, Shift Lever, Footrest and Brake Lever Bracket Mounting Kits

Chromed, polished allen screws and custom countersunk washers to fit 2000-on Softails.

72049



## Big Twin Complete 4 Piece Kickstand Mounting Kit

Works on all Big Twins 1936-on. Includes kickstand mount spring leg stop and spring plate. Chrome plated.

4399

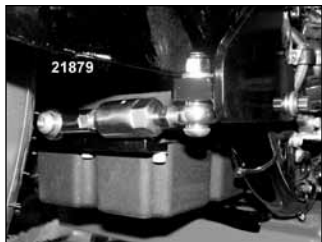


## Kickstand Lowering Wedge

Fits under BT mount bracket to change angle of bracket and assembly when using shock and fork lowering kits.

27043

# Motor Mounts



## The Tour Torque Linkage System

Fits all Touring models and no modifications are necessary to install. Eliminates lateral movement while still allowing the ISO mounted factory design of the "floating" drive chain to move vertically through connecting the rear of the transmission case to the frame. The kit uses an isolation kit with an urethane plunger so there is no contact between the frame and the engine trans assembly, therefore reducing vibration. Fits 1993-08. Chrome kit features chromed outer mount bracket as well.

### PCP Finish

**21879** Black

**21880** Chrome

**73751** Foot peg spacer set required for installation on 1993-01 models. Must be purchased separately, not included in kits



## Sifton Evo Chrome Motor Mount

Replaces the stock mount in all Big Twin with rubber mounted engines. It uses urethane formulated compounds with enhanced compression and rebound dampening properties for a 20% reduction in transmitted vibration.

**40060**



## FLT-FXR Motor Mount Components

### PCP Description

- 40021** Front mount, black (16207-79B)
- 40060** Sifton, as above with 20% vibration reduction
- 29011** Topline as above
- 40022** Front mount, chromed (16207-79B)
- 29010** Stabilizer link, zinc upper or lower FLT, FXR 1980-on, upper on Dyna 1991-94 (16219-79B)
- 40019** As above, chrome (16219-79A)
- 40020** Zinc upper stabilizer Dyna 1995-on (16258-95A)
- 21000** Front bracket 1980-06 (47159-79A)



## Velva-Ride Engine Stabilizer BT 1980-on (Each)

Features a stainless steel body, polished finish rod ends and a plunger with a urethane dampening which combine to act as a mini-shock absorber. Sold Each.

**30055** Body polished with standard finish ends

**40026** Body and ends (polished)



## Velva-Ride Motor Mounts

Replaces stock mount on all Big Twin engines. This mount provides a 20% reduction in vibration due to its urethane formulated compounds that offer enhanced compression and rebound dampening properties.

**30056** Fits BT rubber mount engines

## Limiter Kit FLT 1980-01 and FXR 1982-94

Use this kit to dampen extreme movement on front motor mount cushion.

**40116**

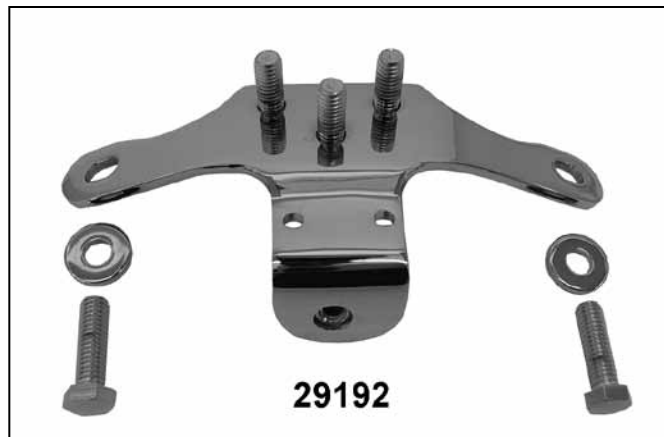


# Motor Mounts



## FXST-FLST Chrome Mounts

PCP	Description
40101	1991-99 Top mount FXST-FLST, 1991-98 FLT/Dyna (16242-90 , 16247-91)
40103	1984-99 Top mount block, zinc plate (16284-84)
40104	1991-99 Top mount (not FLST w. VOES)
40113	2000-on Top mount set (69136-00, 16247-00)



## T/L Chrome Softail Centre Mount Motor Mount

Chrome centre motor mount includes chrome hardware to replace the original black mount on 2000-on Softail models.

PCP	Application
29192	2000-on EFI models except FLSTS (69146-03)



## FXST V-2 Chrome Top Motor Mount

Replaces OEM 16852-83A. Fits all 1984-90 FXST. 4491



## Topline Top Motor Mount 1992-99

29424 FXST (16878-99)



## Chrome FXST Top Motor Mount

Topline quality motor mount to fit Softails 1992-99. 40108



## Chrome Billet Key Switch Mount

Bolts to top motor mounts with 2 holes. 73716



## Chrome FXST-FLT Top Motor Mount Kit 00-\*

Includes hardware and cross and top bracket for 2000-on FXST and FLT models with carb. 40112

## FLT Chrome Top Motor Mount 1984-on

2 Piece design to mount rubber engines in stock or custom solid mount frames. 40027

40027 47169-83A



# Motor Mounts



## FXST Chrome Billet Top Motor Mount

Order related brackets separately.

**PCP**    **Item**

- 59358**    Top mount 1984-99
- 59359**    Coil mount 1984-99
- 59368**    Dual single fire coil mount with key hole
- 59928**    Coil mount with key switch hole



## Chrome Billet Top Motor Mount Kit

Includes key switch/push-button housing fits 1984-99  
40117

## Chrome Choke Cable Mount

For FLT-FXST/D 1993-99.

**27320**    69126-92



**BT Chrome Billet Top Motor Mount 1984-99**  
**59355**



## Chrome Front Motor Mount Bolt Mount Block

Front motor mount bolts thread into this regulator mount block.

**59598**    1936-99

# Motor Mounts



## FXR V-2 Chrome Top Motor Mount

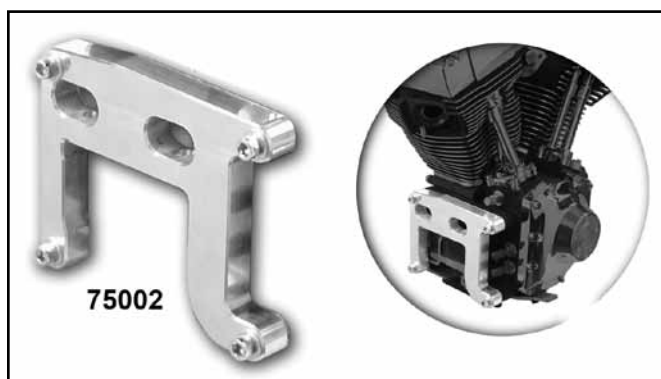
Replaces OEM 16216-83A. Fits all 1984-94 FXR's.  
40100



## Rear Motor Mount Adaptor

Adapter allows installation of Twin Cam engine in Evo 1984-99 style frames. Please note that frame may require further modification for clearance. Does not work with counter balanced TC "B" motors.

53114



## Paughco Frame Accessories

**PCP Description**

**75002** Adapter plate for Twin Cam engines (does not work with counterbalanced Twin Cam B Softail engines)



## Front Mount for FXD 1991-On

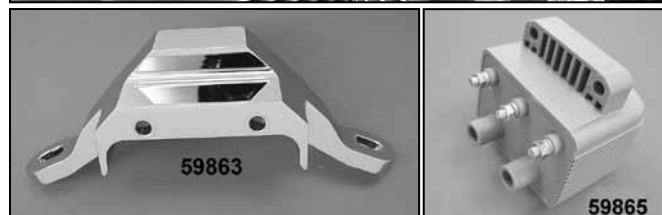
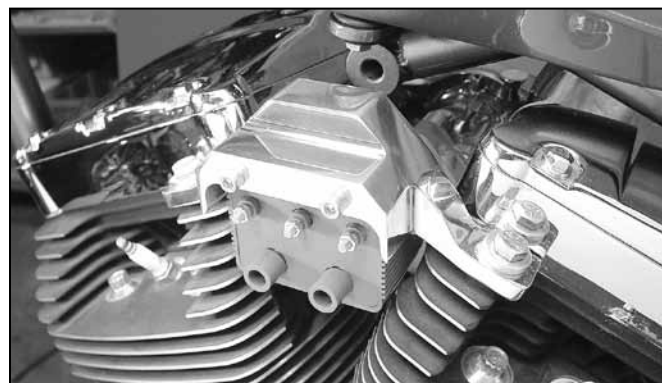
**PCP Description**

**40023** Front engine bracket 1991-98 (47226-90A)  
**40037** Front engine mount 1999-05 (47226-99)  
**40024** Front isolator 1991-09 (47583-90B)  
**40038** Rear mount 1991-98 (47564-90B)  
**40039** Rear isolator 1999-09 (47564-99)  
**40020** Stabilizer top link 1995-on (16258-95B)



## Chrome FXD Top Motor Mount 1990-03

**40115** Mount 1990-03  
**40118** Stabilizer link 1990-09



## Top Motor Mount w/Integral Coil Mount

Chrome mount provides a coil mounting that is up and behind the normal top motor mount. Mounts coil between cylinders for use with coils with central terminals. Mounts coil style shown. For Twin Cam and most Evo coil applications, spacing may be required.

**PCP For Motors**

**59863** 80-100"  
**59864** 101" and up  
**59865** Coil



# Motor Mounts



## Top Motor Mount for XL's

- 40111 1986-94 (16278-86A)
- 40114 1995-2003 (16278-95B)



## T/L XL Chrome Motor Mount Kit 2004-08

This motor mount has a polished and chromed finish with chrome hardware included. Replaces original black mount on 2004 XL models.

- 61091 47480-04



## Chrome Motor Mounts XL 1984-03

Order top mount cover separately to cover existing mount. Sold in pairs.

### PCP Description

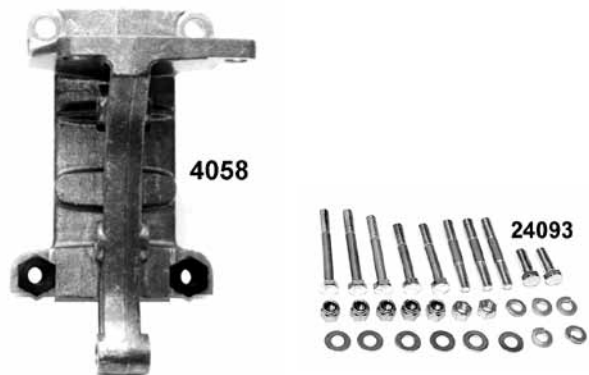
- 3424 Front mounts (16210-84A, 16212-84) (pair)
- 5476 Top mount cover 1986-94 (16274-88T)



## XL Chrome Top Front Mount 1986-03

Replaces 16214-86 on 883-1100-1200 models.

- 27328 Mount
- 9967 Bolt kit XL 1986-03 and BT 1993-on



## XL Rear Motor Mount 1982-90

2 bolt top style, cast, replacement

### PCP Description

- 4058 XLH 1982-90 (16203-82A)
- 24093 Bolt kit



## Chrome 1986-2003 XL Billet Top Motor Mount

Accepts coil bracket and horn.

- 59304

# Motor Mount Hardware



73650



73652

## Top Motor Mount Spacer

For spacing out top mount or wide tire conversions.

PCP	Thick
73650	5/8"
73651	3/4"
73652	1/2"



9854

## FXST Upper and Lower Motor Mount Kit

Complete stock motor mount kit includes heat treated, plated bolts, locknuts and heavy duty washers.

PCP	Application
9854	Softail 1984-99 chrome
9855	As above zinc



## Acorn Front Motor Mount Kits Dyna 1991-on

9936



9859

## Touring Lower Motor Mount 1988-06

Complete stock motor mount kit includes heat treated, plated bolts, locknuts and heavy duty washers. Fits FLT, FLHT, FXR, FXRS with rubber mounted motors.

9859	Chrome
9860	Zinc



## XL Acorn Motor Mount Kits

PCP	Application
5506	Lower 883/1100 1986-on
9773	Centre 1986-on
5507	Upper 883/1100 1986-on



9771

## XL Chrome Polished Allen Motor Mount Kits

PCP	Application
9771	1986-on (centre)
9772	1986-on (lower)
9793	1986-on (upper)



## Chrome Polished Allen Motor Mount Kits

PCP	Application
9927	Softail 1984-99
9928	FLT, FLHT, FXR, FXRS, 1988-06 w/rubber mounted motors
9937	Front Dyna 1991-on
9956	Motorcase mounting kit TC-88 1999-on

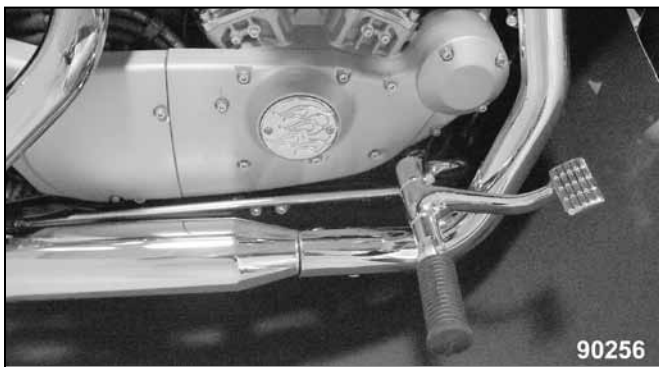


## Top Motor Mount to Cylinder Head Bracket Mounting Kit

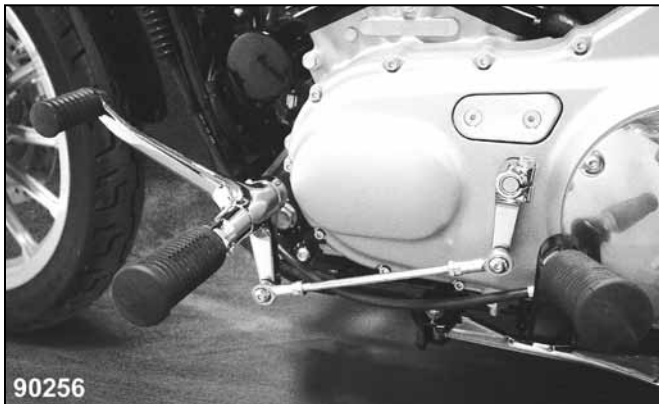
Chrome flat head allen screws and countersunk washers fit BT 1993-on, and XL 1986-on.

9967

# XL Forward Controls



90256



90256

## XLC Style XL Forward Control Set 2004-on

Includes brake pedals and mount plates, as shown.

#90257 kit includes soft peg set.

### PCP Description

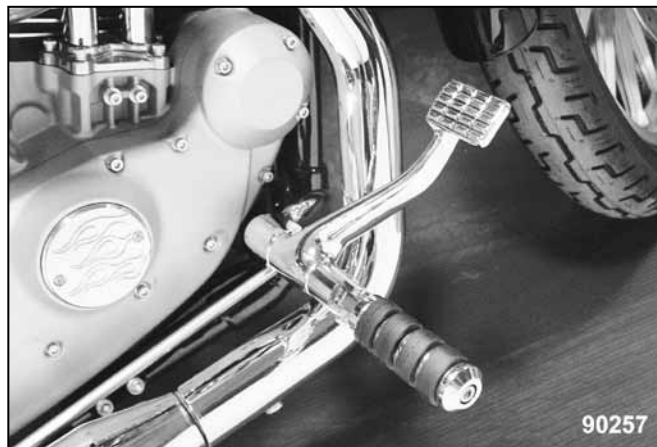
- 90256** Without pegs 2004-05
- 90257** With Iso pegs 2004-05
- 90287** With Iso pegs 2006-on
- 90304** With Iso pegs 2006-on +2"



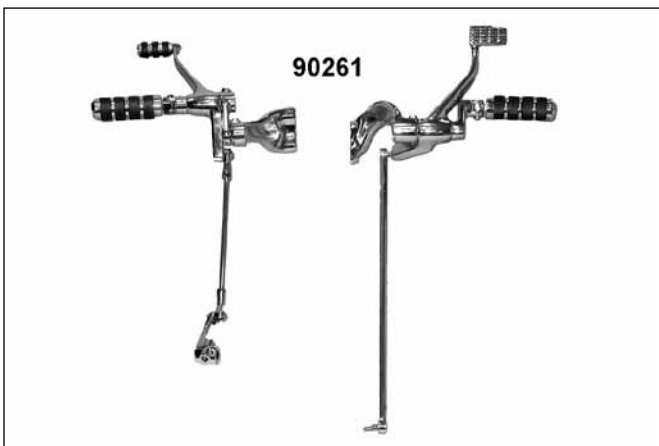
90257



90257



90257

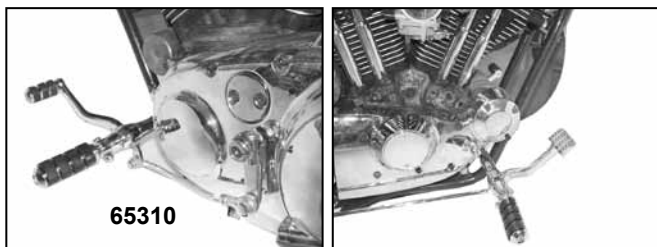


90261

## XL Chrome Forward Control Set 2004-05 +2"

Includes brake pedals, iso peg set and mount plates as shown.

90261



65310

## T/L XL Forward Control Kits 2004-05

Stretch out and extend the riding positions of your bike with either of these kits. Each kit includes all hardware necessary to convert your mid controls to forward controls. Kits do not include shifter peg and footpegs. These kits do not work with 2-into-1 exhaust systems.

### PCP Finish

- 65310** Chrome (33395-04)

# XL Forward Controls



## 883-1100-1200 Forward Control Kit 1986-03

For Sportsters 1986-03. Includes chrome brake and shifter assemblies, complete with all necessary brackets, pedals, linkage, o-ring pegs and hardware for installation. Use existing master cylinder for assembly. (Will not fit with engine guards)

- 90200** 1986-90 4 speed
- 90201** 1991-03 5 speed

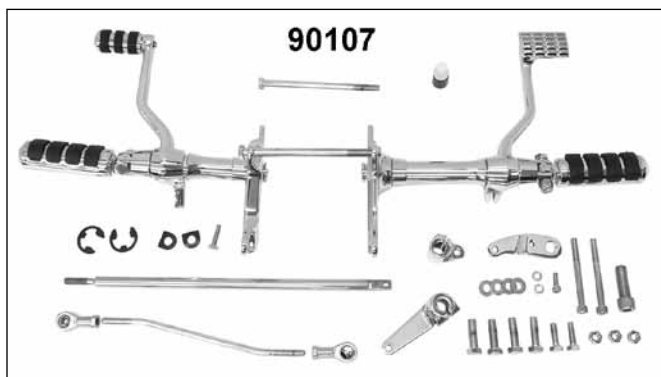
## XL 1986-03 Billet Forward Control Kit

Features BT style controls. Order related brake parts separately.

**90276** Kit

### Brake Related Pieces for #90276

PCP	Item
<b>46154</b>	"T"
<b>73555</b>	Banjo
<b>59319</b>	Master cylinder
<b>21663</b>	MC Rebuild
<b>73595</b>	Plunger



## XL Forward Control Kit 1991-03

Kit features XLC styling. Kit includes Cats Paw foot and shift pegs. OEM 49014-86A engine bar adaptor required to install engine bar #84106.

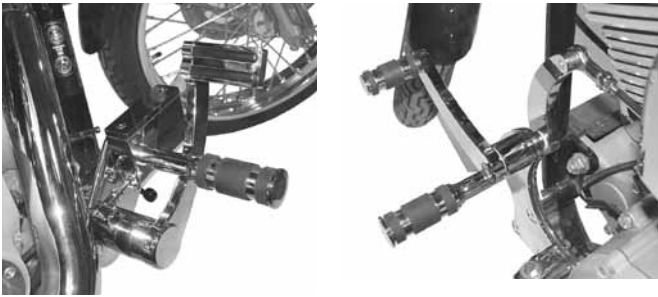
- 90206** Complete kit 1991-03
- 90284** +2" kit (no shifter pegs) 1986-03
- 39023** Foot peg set all years
- 39025** Shift peg all years
- 27345** Brake pedal 1991-03 (42579-99)
- 27346** Shift pedal 1991-03 (42582-99)

## XL Chrome Forward Control Kit 1986-90

Kits feature XLC styling and include Cats Paw foot and shift pegs. OEM #49014-86A engine bar adapter is required to install engine bar PCP #84106.

PCP	Application
<b>90107</b>	1986-90 4 Speed control kit

# Forward Controls



## FXST Chrome Billet Forward Controls 2000-on

Set includes right and left sides and adaptor block to reuse stock kickstand. Order shift rod and stainless steel brake line separately.

- 59135** Control set 2000-06
- 59056** Chrome shift rod

## FXST Brake Line Required Components

Sold separately.

- | PCP          | Description            |
|--------------|------------------------|
| <b>73642</b> | 45 degree fitting      |
| <b>73643</b> | Banjo 10mm x 90 degree |
| <b>73644</b> | 3/8" 90 degree fitting |
| <b>59669</b> | 18" Brake line         |
| <b>59670</b> | 28" Brake line         |
| <b>73555</b> | Banjo 10mm x 35 degree |
| <b>24030</b> | 10mm Banjo bolt        |

## Replacement Hardware

- 711** Master cylinder rebuild
- 59318** Master cylinder
- 73554** Master cylinder top



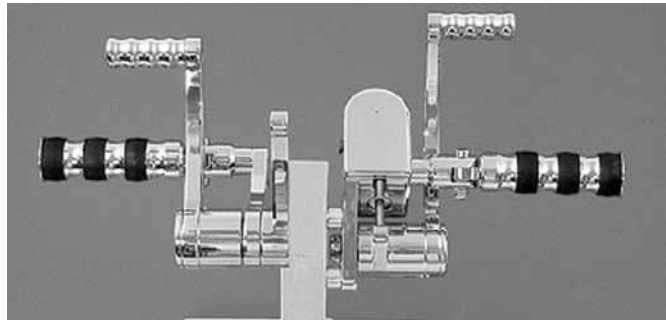
## Chrome Adjustable Forward Brake Pedal

Allows multiple positions.

- | PCP          | Application               |
|--------------|---------------------------|
| <b>46810</b> | 1991-99 FLST, 1996-on FLT |
| <b>46811</b> | 2000-05 FLST              |

## Chrome Forward Pedals

- | PCP          | Application                                 |
|--------------|---|
| <b>46812</b> | FLST 1987-99, FLHT 1987-05 +2 1/4" extended |
| <b>46806</b> | FLST 2000-01                                |
| <b>46807</b> | FLST-FLHT 2002-05 (42597-00A)               |
| <b>46808</b> | FLHT 1984-96                                |
| <b>63000</b> | FLHT 1987-02 (T/L) (42407-87C)              |



## BDL Forward Controls and Handlebar Controls

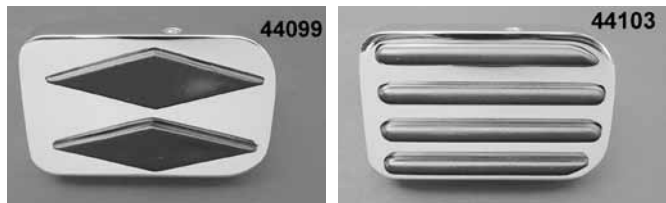
Stylish, show quality, forward controls are CNC machined from billet aluminum and feature hidden hardware securing the master cylinder cover, pivot points, and footpegs. Features adjustable brake and shifter lever height and a side rake hose port. For Softail models 1987-99.

- | PCP          | Finish                      |
|--------------|-----------------------------|
| <b>76490</b> | Chrome                      |
| <b>76027</b> | Master cylinder rebuild kit |



## Coordinating Accessories

- | PCP          | Application                               |
|--------------|---|
| <b>76435</b> | Chrome grips with throttle pipe (RBHG-1C) |



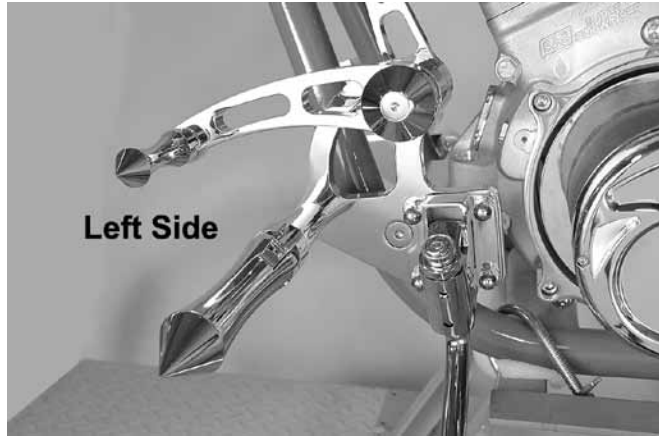
## Iso Brake Pedal Pads

Diecast chromed pedal pads feature rubber inserts to match peg styles.

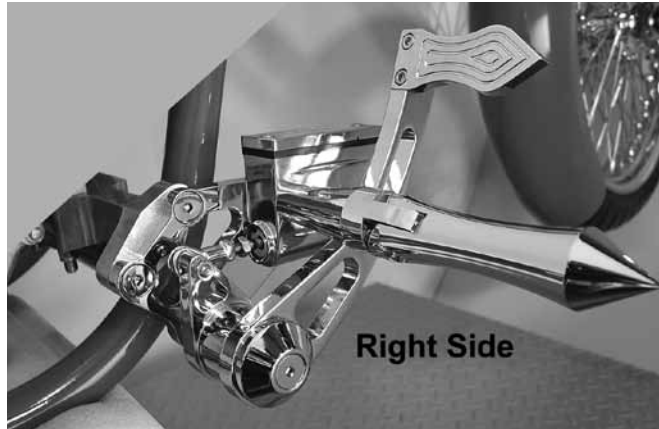
- | PCP          | Style   |
|--------------|---------|
| <b>44099</b> | Diamond |
| <b>44103</b> | Rail    |



# Forward Controls



Left Side



Right Side

## Chrome Billet Forward Control Set

2" Extended version for 1986-99 FXST with pirate spike peg set, (order shift rod and brake line separately).

**90330**



## Billet Chrome Rear Passenger Peg Set

Pegs feature 3 rubber band inset to match billet forward controls.

**59264**

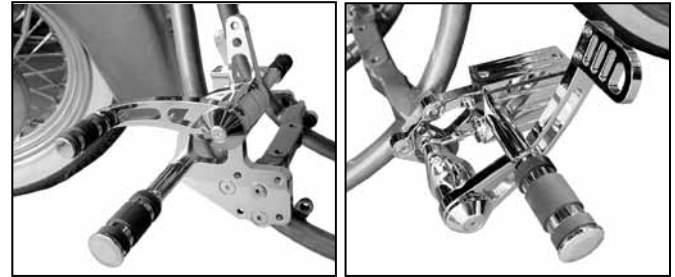
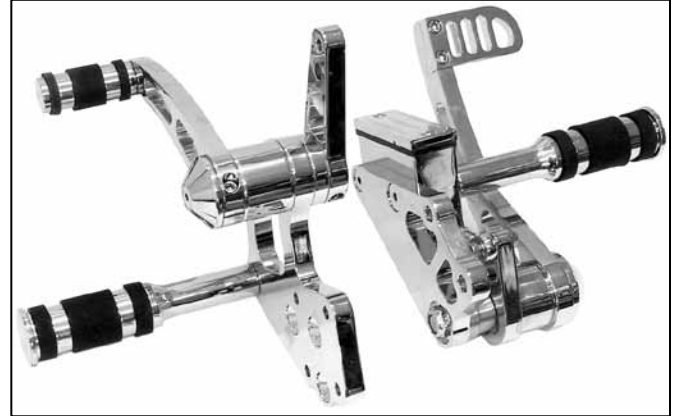


## Chrome Billet Shift Rod Kit

Includes ball and swivel ends.

**59269** Stock

**59270** +3" extended



## Chrome Billet Forward Control Set

Fits FXST 1986-99. Sets include left and right sides complete with master cylinder. Also includes rubber belted pegs as shown.

Order shift rod and stainless steel brake lines separately.

### PCP Position

**59320** Stock

**59003** +2"

**59321** +3"

### Stock Chrome Shift Rods

**37210** 1986-99 FXST

**59269** 1986-99 FXST (Billet for #59320)

### +2" Chrome Shift Rods

**59056** 1986-99 FXST

### +3" Chrome Shift Rods

**59056** 1986-99 FXST

**59270** 1986-99 FXST (Billet for #59003)

### Replacement Hardware

**21663** 3/4" Master cylinder kit

**21684** 5/8" Master cylinder kit

**59319** 3/4" Master cylinder only (2-1/4" c/c)

**21659** 5/8" Master cylinder only (2-1/4" c/c)

**73554** Master cylinder top only with screws

**59092** Driver peg set

**59264** Matching passenger peg set

**59322** Shift peg

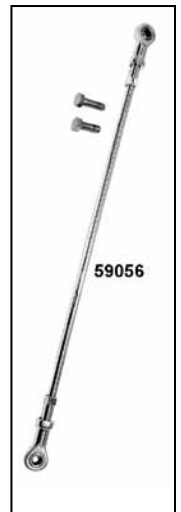
**59323** Shift peg rubber

**59324** Driver peg rubber only

**59451** Shift lever, inner

**21751** Shift lever, outer

**73595** Brake plunger



**21663**

### FXST Brake Line Required Components

**73555** 10mm, 35 degree Banjo

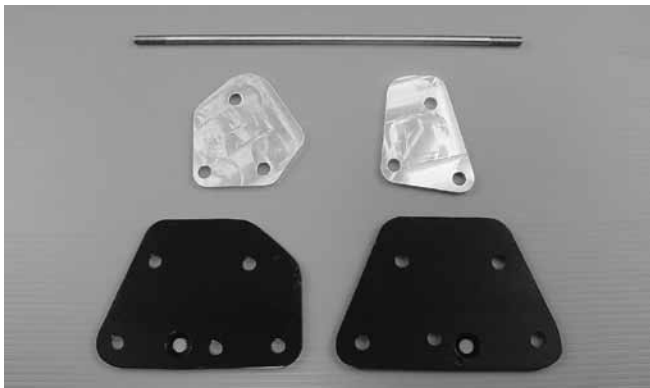
**49821** 32" Stainless line

**46151** T fitting

**59326** 12" Stainless line

**73556** 10mm straight banjo

# BT Forward Controls



## 3" Extension kit for Softail 2000-06

Moves controls 3" forward on FXST, FXSTD, FXSTX, FXSTB models.

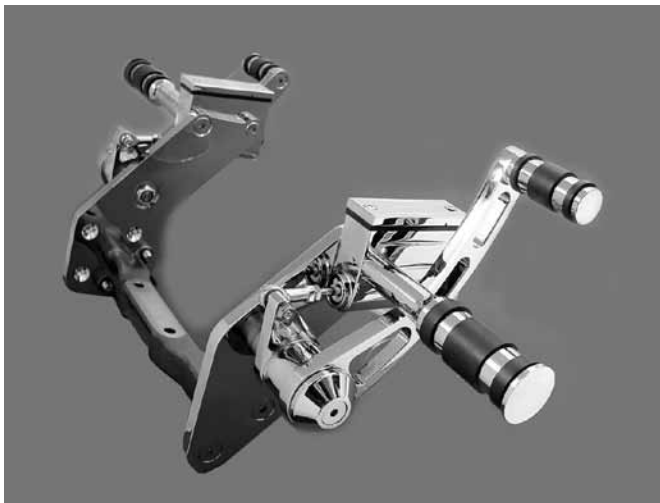
59333



## Billet Jockey Shifter Kit

Includes top mount and rod for 1986-99 FXST models. Order knob separately.

82107



## Chrome Billet Forward Control Set

Fits 1986-99 FXST, 1984 FX, FL. Includes left side jockey pedal and right side complete with master cylinders. Order stainless steel brake and clutch lines separately.

90333



## FXST-FLST Adaptor Brackets 2000-06

These brackets allow the use of pre 1999 forward controls on the Twin Cam models.

27343



## Chr/Forward Control Bracket FXST 2000-06

Bracket kit includes right and left mounting brackets and new bushing.

27306 33920-00



## 2" Forward Control Extension Bracket

Will relocate the stock or custom forward controls 2" forward on 1936-99 BT models. Note: the hoses and linkage will also have to be extended.

21688

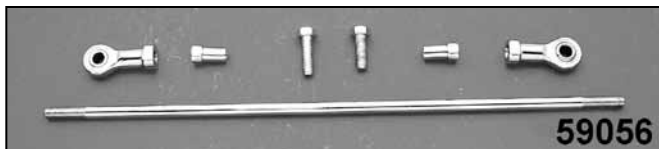
# FXD Forward Controls



59854 Right



59854 Left



59056



59183

## Chrome Billet FXD Forward Controls 1991-05

Fits 1991-05 FXD and includes rubber belted pegs. Includes left and right sides complete with master cylinder. Order shift rod separately.

- 59182 Control set stock
- 59854 Control set +3"
- 59183 Standard shift rod
- 59056 +2 and +3" shift rod
- 59319 Master cylinder (3/4")
- 59671 Matching grip set
- 59264 Matching peg set



59671



59264



## Chrome Oval Inspection Cover

Fits FXD-FXST outer primary when forward controls are installed. Does not have a hole for shift shaft.

44500

## Co-ordinating Grips and Pegs

PCP	Item
59671	Grip set
59264	Peg set

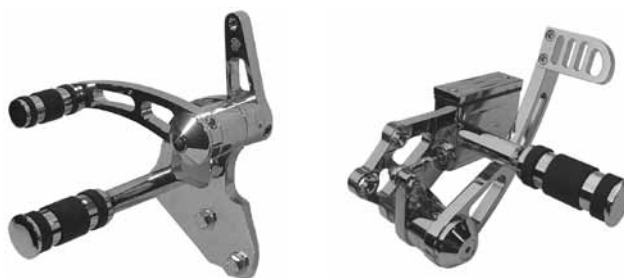
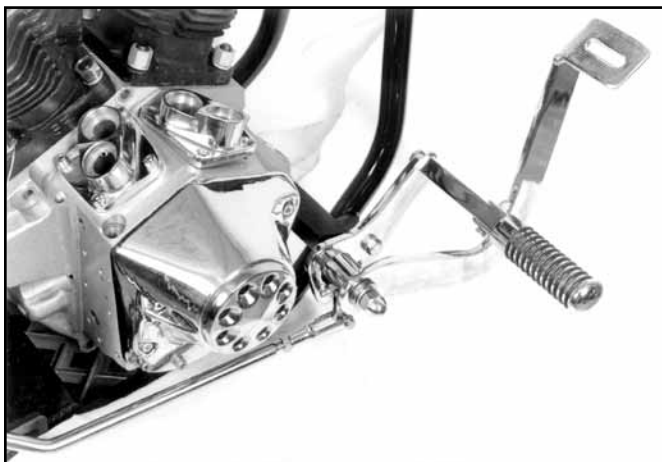


## Shift Shaft Primary Plug

Use when forward controls are installed on FXR-FXD models to seal the inner primary when eliminating the mid shift. Includes o-rings and hardware.

73519

# FXR Forward Controls



## FXR Billet Forward Control Kit 1982-94

Kit includes master cylinder.

- 59327 Kit
- 21663 Master cylinder kit only (3/4")
- 59319 Chromed master cylinder complete



## FXR-FXRS Forward Control Sets.

All 5 Speed FXR-FXRS Evo 1982-on. Installation does not require the primary cover to be removed. All parts are chromed and the footpegs provided are "O" ring style. Does not fit Dyna Glide.

4703 1982-94 FXR



## FXR Passenger Footrest Comfort Kit

Chrome plated, super strong 3/8" steel plates machined to ideally relocate the passenger pegs on all FXR models. The pegs are moved several inches higher and farther forward for improved passenger comfort. Complete with chrome plated hardware, the brackets can be used with stock footpegs or with any 1/2" stud mount footpeg set.

4513 FXR footrest kit (pegs not included)

## 1/2" I.D. Shift Shaft Cover

Chrome acorn style cover to fit over unused shifter shaft in primary cover when installing forward controls.

12609 Sold Each



## 1982-up FXR Forward Control Set.

Complete set brake & shifter units are a replica of the comfortable FXST style, which has pegs in full forward position, features one piece brake rod which adapts directly to stock master cylinder, no need to relocate master cylinder on all 1982-on FXR-FXRS-FXRT, also 1985 FXS-FXE. Chrome cover included to cap shifter shaft after installation.

PCP	Years	Type
90309	1982-E87	Set
90310	1988-94	Set
6462	1982-on	Shift side
59064	1982-E87	Brake side
59065	1988-on	Brake side
59066		Clevis, brake side

# FXST Forward Controls



90312



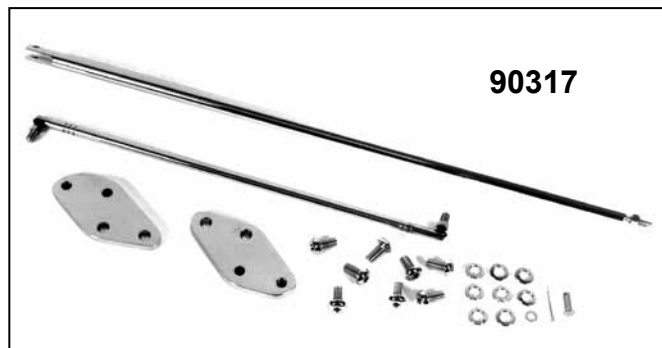
90305

## FXST Forward Control Kits

Chrome plated OEM type replacements which include brake pedal, mount plate, plunger and related hardware for years listed are already equipped with a lower mount slave cylinder. The 1983-86 type uses two bolt master cylinder. The early 1987-89 type features tab with square hole to accept spark plug type master cylinder. The 1990-on type fits models with a frame mounted master cylinder.

**Master cylinder not included.**

PCP	Years/Model
90312	1983-86 FXST
90313	1987-89 FXST



90317



## Billet Forward Control Set 1987-99 FXST

Includes shift and brake side controls, stock length with rods included. Use with existing mid mount master cylinder on FXST models.

90334

## Extended Forward Controls for FXST Models

Designed for big bikers over 6 ft. tall. These chrome plated units extend the foot pegs 4" forward and keep the right and left peg parallel while retaining stock peg to pedal distance. Utilizes stock brake pedal shifter arm and lever. Brake and shifter plate supplied in heavy 5/16" steel along with longer brake and shift rods. Can be installed in 1 hour for FXST, FXSTC and FXSTS. Also available in complete units with all hardware for use on 1993-on FXDWG models, for both sides.

90305	1986-E87 Ext. kit (will not clear stock filter)
90306	1987-99 Ext. kit
90307	1986-E87 Complete assembly
90308	1987-99 Complete assembly
90317	1993-on FXDWG

**\*Note:** Above models fit 1986 models when oil filter on shift side is re-located. Can fit 1984-85 models if master cylinder bracket is fabricated and welded in place.

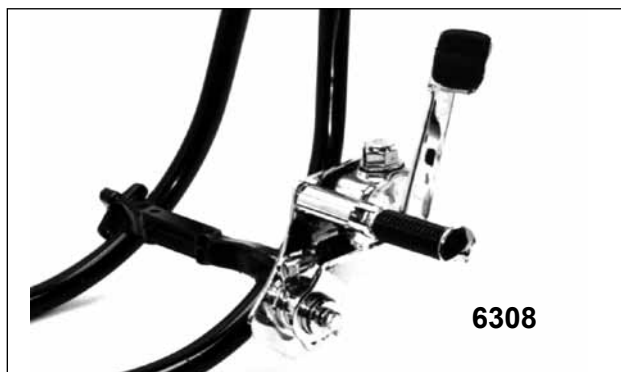
# FXST Forward Controls



## FXST Replica Forward Shifter Kit

Complete kit with all hardware necessary for installation 1985-99 FXST models. Use in conjunction with our FXST Replica Controls, as all kits place pegs in a forward position parallel to the peg on brake side. Foot rests on peg while shifting for added comfort. Kit includes chrome heavy duty shifter bracket, inner lever shifter lever, rod, rubber shift peg and foot peg, display packaged and labelled with detailed instructions and assembly diagram for each model listed below.

- 90225** FXST 5 speed 1985-89  
**90226** FXST 5-Speed 1990-99



## FXST Forward Brake Control Kits

For use on all 1970-99 BT with Shovel or Evo engines equipped with hydraulic disc or drum brakes. Designed after the 1984-99 FXST which places the driver peg in back of the brake pedal, so the brake is easier to operate from this position. Redesigned to accept a Wagner or Kelsey-Hayes style master cylinder or a new GMA master cylinder. Also available with chrome KH or Wagner style masters hardware. Kits include linkage pedal mount plate and rubber covered footpeg.

- | PCP          | Description                                |
|--------------|--|
| <b>6309</b>  | Complete kit w/Kelsey type master cylinder |
| <b>6308</b>  | Complete kit w/Wagner type master cylinder |
| <b>46821</b> | Brake pedal for above                      |

Note: Kits use Russell stainless lines PCP #49800 front and #49802 from junction to rear caliper. Use tee # 3370.

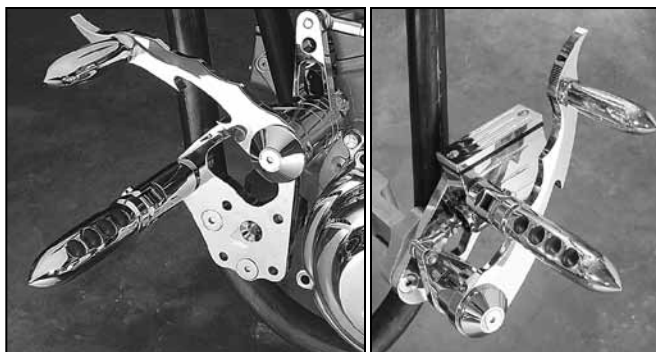


## Jammer FXST Chrome Forward Brake Controls

Forward brake control kit replaces original equipment on L1987 to present Softail models. Kits includes: rear brake control, footpegs, and mounting hardware. Retain original master cylinder and linkage for use with new kit. **PCP**

### Description

- 90218** FXST late 1987-88  
**90219** FXST 1989-on

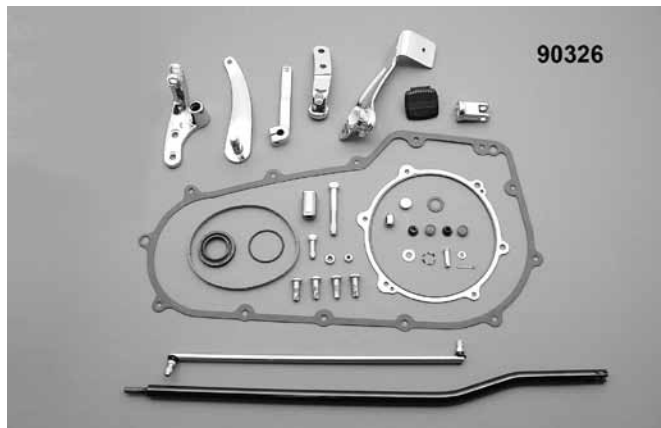


## FXST Chrome Billet Forward Control Set '86-99

Includes left and right complete with master cylinder. Order shift rod and stainless steel brake lines separately.

**90331**

# Dyna Forward Controls



## FXD Forward Control Kit

Uses existing master cylinder linkage and footpegs.

### PCP Description

- 90326** 2006-on Kit for mid-controls (49080-06A)  
**90319** 1993-05 Dyna. Stock on 2003-05 FXDWG. Not for use w/engine guard on FXD and FXDL. (49080-03)



## Chrome FXDWG Brake Rod

### PCP Year

- 82101** 2003-05 (41955-03)



## T/L Polished Stainless Brake Rod

Polished stainless steel brake rod looks great on 2003-05 FXDWG models and Dyna models equipped with OEM# 49080-03 forward controls.

- 46209** 41962-03



## Dyna Controls Extension Kit 1993-05

Fits Dyna 1993-05 controls. Allows stock forward control pedals to be mounted forward for extra leg room. Fits FXDWG model for a 2" extension. Kit includes 2 chrome extension plates and extended chrome shift and brake rods. Installation requires the use of stock pedal components.

- 90325** Kit  
**46208** Brake rod only (41962-01)



## Dyna Forward Controls 1991-05

Offered in stock and +2" extended versions for the longer legged rider. Chrome plated and supplied with chrome railer footpegs. Will not work on FXD/L models with engine guard. These controls are stock on 2003-05 FXDWG models.

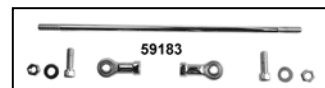
- 90323** Stock  
**90324** +2" Extended



## FXD Chrome Billet Forward Control Set

Fits 1991-05 FXD and includes left and right sides. This kit will utilize stock master cylinder in the original position. Included rod fits directly to master cylinder. Kit includes rubber belted pegs but shift rod must be ordered separately.

- PCP Item**  
**90285** Set  
**59183** Chrome steel shift rod



# FLST Forward Controls



## Brake Side FLST 1987-99

- 90321** Brake kit as shown
- 90322** Brake kit with chrome plate
- 27275** Chrome brake pedal (42407-87B)
- 23037** Rubber for above brake pedal (42416-83)
- 27276** Black mount plate (42431-87A)
- 27277** Chrome mount plate (42431-87A)
- 16252** Black rod end (50992-87A)
- 61006** Master cylinder (42468-87D)
- 23014** Rubber boot (40922-87)
- 4048** Master cylinder cover (41745-79T)
- 49704** Brake line (40957-87B)
- 10865** Master cylinder stud (42301-87A)
- 3782** Floorboard set (50621-79A)
- 20519** Pedal washer (5797A)

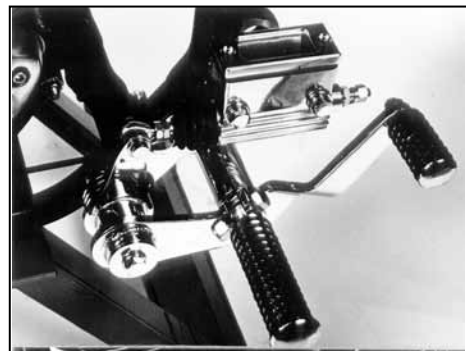


## FLST Brake and Shift Control Mounts 1986-99

Use these brackets and mounts to install FLST controls and floorboards on 1986-99 5 speed Softail models. Components can be ordered as a complete kit or separately. Floorboards must be ordered separately.

### Shift Side

- | <b>PCP</b>   | <b>Description</b>                         |
|--------------|--|
| <b>90320</b> | Shift kit without boards                   |
| <b>27154</b> | Shift mount plate (33630-90A)              |
| <b>27155</b> | Floorboard mount strap (50990-86B)         |
| <b>16251</b> | Chrome mount stud (50989-86)               |
| <b>37207</b> | Inner shift lever FLST 1990-06 (33668-90B) |
| <b>37516</b> | Lever, 2 required (33895-82)               |
| <b>37210</b> | Chrome shift rod kit with ends (33728-90A) |



## Chrome FLST Brake Pedal and Backing plate

Fits 5 speed FLST models 1987-99, FLT 1987-02.

- 27275** Brake pedal (42407-87B)
- 63000** T/L as above
- 27277** Backing plate (42431-87A)



## BT Chrome Forward Control Kit---1958-86

Control kit consists of both shift and brake sides including: a 3/4" bore chrome Kelsey Hayes style master cylinder, o-ring pegs (but can be replaced with other styles of clevis mount pegs), a universal nylon brake line kit, 4 and 5 speed shift rods are also included and chrome mounting hardware.

- 90318** BT 1958-86, FXST 1986-on
- 21806** Shift lever only

## Grease Elimination Spacer

Stepped design spacer with o-ring replaces stock spacer (OEM 5702) on shift shaft FLT 1980-on.

- 11824**

# Forward Controls



## Shifter Pegs

PCP	Style	Type
39019	O-Ring	Rotating
39017	Railer	Chrome with rubber
39024	Cats Paw	Chrome with rubber, 3/8" stud
39025	Cats Paw	Chrome with rubber, 5/8" stud
39018	Cats Paw	Chrome with rubber 1" longer
1402	O-Ring	Chrome with o-ring
1147	Stock	Black with 1/2" stud
5432	Stock	Black with 3/4" stud
5433	Stock	White with 3/4" stud



## Forward Shifter Control

Original FLH type shifter kits allow the use of foot pegs or floorboards. Order complimentary forward brake controls. Units allow 1 down and 3 up shifting pattern. All other kits attach to existing components on shifter mechanism.

PCP	Years/Model
6319	1980-85 FXWG 4-speed, 1985 FXST 4-speed
90216	1981-99 FXR 5 speed



## Chrome Heim Joints

Heim joints have a variety of uses and are especially useful for custom shift and brake linkage creation. The 5/16" joints are available with left or right hand threads.

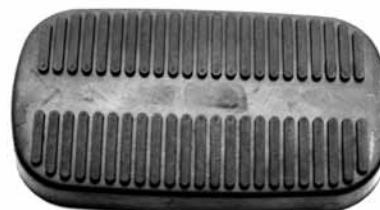
PCP	Size
71009	1/4" x 1/4-28 female
71010	5/16" x 5/16-24 male
71011	5/16" x 5/16-24 female
71012	5/16" x 5/16-24 male (left hand thread))
71015	3/8" x 3/8-24 female



## Chrome Brake Lever Pivot Cover Kit 1984-99

Use this kit to dress up the pivot area on 1984-99 FXST-FXWG. Include cover, retainer washer and allen screw.

45033



## Brake Pedal Rubber Only

23036 1991-on FLHT

# TC 88 Forward Controls



## Twin Cam Components FXST-FXSTC 2000-05

Brake/shift side components for FXST, FXSTC 2000-on.

### Brake, FXST

PCP	Description
90202	Kits as pictured
12546	Jam nut (7951)
11085	Retaining ring (40918-87) (10 pk)
13203	Return spring (40920-87)
23014	Pushrod boot (40922-87)
61013	Master cylinder assembly (41755-99)
46027	Pushrod kit (41957-97)
61053	Foot brake mount (42507-00)
3245	Brake lever pad (42532-82)
61025	Reservoir (42454-99)
23063	Gasket, reservoir (42455-99)
61042	Chrome brake lever (42515-00A)
11705	Spring retainer (44126-87)
63013	Chrome reservoir cover (45149-99)
49709	Rear brake line (45156-00)
10516	Grease fitting (50972-75) (10 pk)
18606	Bushing (57215-75) (pair)
24030	Banjo bolt (41747-82A)
1945	Rebuild kit (42382-87B)
10182	Clevis pin (42460-80B) (5 pk)
28203	Stop lamp switch (72023-51C)



## Twin Cam Components 2000-05

Brake/shift side components for FLST, FLSTF, FLSTS 2000-on.

### Brake, FLST

PCP	Description
90203	Kit as pictured
12546	Jam nut (7951)
11085	Retaining ring (40918-87) (5 pk)
13203	Return spring (40920-87)
23014	Pushrod boot (40922-87)
61013	Master cylinder assembly (41755-99)
46027	Pushrod kit (41957-97)
23037	Brake lever pad (42416-83)
61052	Foot brake mount (42431-00)
61025	Reservoir (42454-99)
23063	Gasket, reservoir (42455-99)
61043	Chrome brake lever (42597-00)
11705	Spring retainer (44126-87)
63013	Chrome reservoir cover (45149-99)
49709	Rear brake line (45156-00)
10516	Grease fitting (50972-75) (10 pk)
18606	Bushing (57215-75) (pair)
24030	Banjo bolt (41747-82A)
1945	Rebuild kit (42382-87B)
10182	Clevis pin (42460-80B) (5 pk)
28203	Stop lamp switch (72023-51C)



### Shift (left side) FXST

90204	Kit as pictured
12001	Nylon washer (6057)
14562	O-ring (11191) (10 pk)
37205	Shift lever (33660-90B)
61055	Lever bracket (33683-00)
18635	Bracket bushing (33708-94)
36133	Shifter rod kit (33719-79A)
37518	Shift lever arm (34564-90A)
3247	Shifter rubber (34611-65)
1147	As above, all rubber



### Shift (left side) FLST

90205	Kit as pictured
12001	Nylon washer (6057)
14562	O-ring (11191) (10 pk)
61054	Lever bracket (33630-00)
36133	Shift rod kit (33719-79A)
37207	Shift lever (33668-90B)
18635	Bracket bushing (33708-94)
37516	Shift lever arm (33895-82)
3247	Shifter rubber with chrome end (34611-65)
1147	As above, all rubber

Refer to OEM Parts book for breakdown

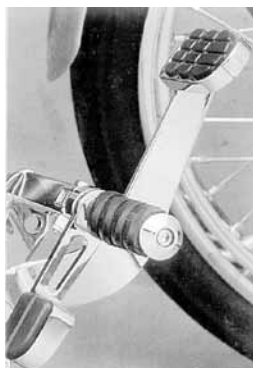
# Stirrups



## Iso Stirrups

Feature adjustable heel and will fit driver peg mount or high-way bars where a small peg is used.

- 39221** Stirrups with large pegs
- 39222** Stirrups with small pegs



**Cats Paw Heel Rests**  
39136



**39224**

**Kuryakyn Iso Brake Pedal Pad features 3 pad inserts in chrome body.**

PCP	Description
<b>39224</b>	Fits Heritage, F/Boy and Dresser



**46801**



**46800**

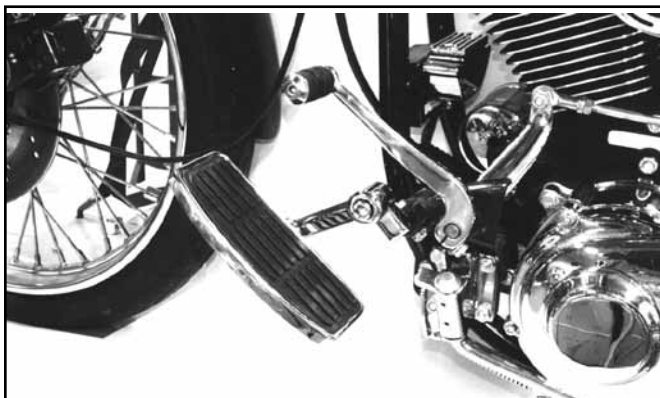
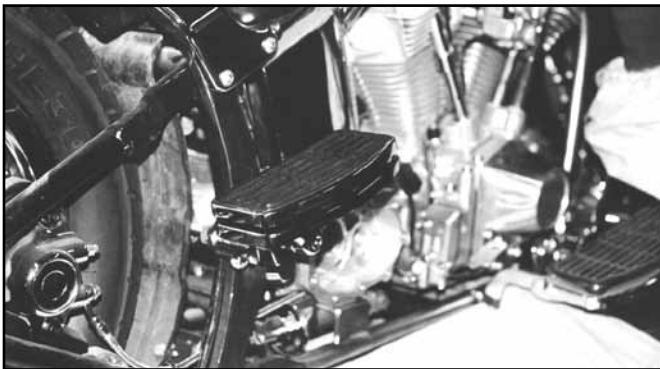


## Brake Pedal Pad

Features chrome die cast backing for rubber insert pad.

- 46800** FXST 1984-92, FXWG 1983-86
- 46801** FL 1965-on

# Floorboards



## Adjustable Driver's Mini Floorboard Kit

Measures 7-1/4" x 3-1/2". Fits into stock female footpeg clevis on models with forward controls and features 7/8" of fore-to-aft movement. Can be rotated in a 360 degree arc. Fits FXDWG, FXST/C/S/SB and 4 speed FXWG models 1986-on. **59755**

## Mini-Floorboard Kits & Peg Mount Kits

Adjustable and clamp on mini-boards are now available for models listed. Black mat and chrome boards are sold in kits. Peg mount kits are available for models listed and will accept clevis mount pegs.

### Adjustable Foot Peg Mounting Kits Only

- 39070** For forward controls Softails, Dynaglide and FXWG 4 speeds 1983-on
- 39071** For FXR rear 1982-94 & FLSTC 1990-on
- 39072** For rear passenger Softails 1984-on and FLSTC L1987-89 (1990-on FLSTC can use #39071)

### Shaker Adjustable Mini-board kits (Passenger)

- 39076** Shaker kit for FLT,FLHT,FLHS 1987-92



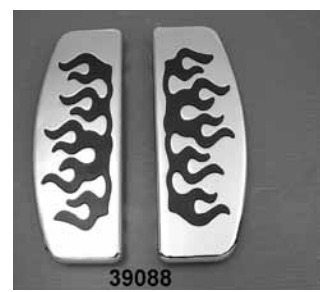
39047



39087



39090



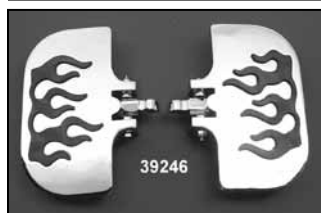
39088



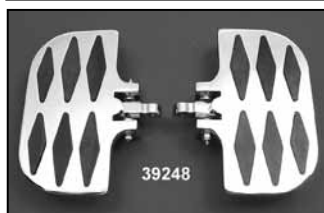
39245



39247



39246



39248

## Billet Floorboards 1980-on FLT & 86-on FLST

"D" Shaped floorboards are chrome with black molded rubber inserts.

- | PCP          | Design  |
|--------------|---------|
| <b>39047</b> | Diamond |
| <b>39087</b> | Rail    |
| <b>39088</b> | Flame   |
| <b>39089</b> | Bar     |
| <b>39090</b> | Dreamer |
| <b>39091</b> | Wave    |

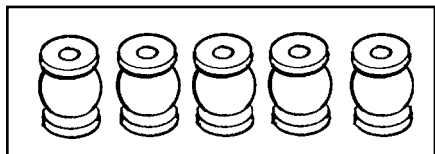


39091

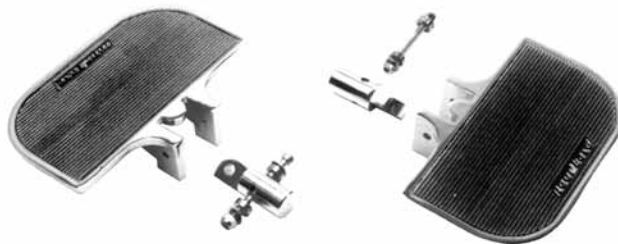
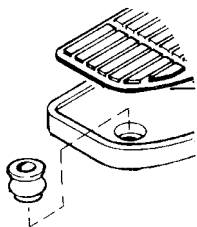
## Mini Footboards

- | PCP          | Design  |
|--------------|---------|
| <b>39245</b> | Rubber  |
| <b>39246</b> | Flame   |
| <b>39247</b> | Rail    |
| <b>39248</b> | Diamond |

# Floorboards



**Late Style Bumper Set**  
4701 Set of 8 (50620-74)



## FXST Rear Floorboards

Chrome mini boards feature spade type mounting studs, with 2 position angle hole. Studs mount to all applications that originally fitted with a 49117-77 peg.  
**39052**



## T/L Road King Classic Rider Footboard Covers

Chromed steel floorboard cover features a classic black leather insert with chrome accents. Includes mounting hardware to fit Touring models with stock aluminum passenger floorboards. Fits 1986-on FL Softail models, 1987-on Touring, 2006-on Dyna.

**63050** 50246-00



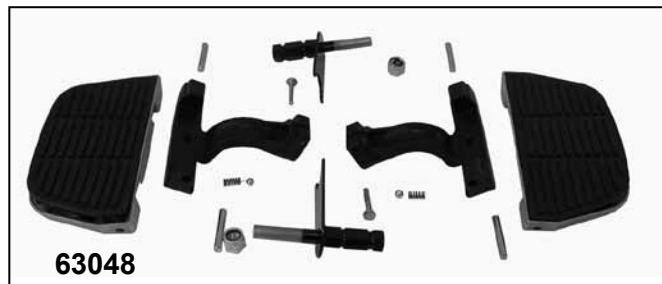
## T/L Chrome Concho Floorboard Covers

Chrome ribbed floorboard covers feature a stylish Heritage Classic style concho. These boards look great up or down. Fits Touring models with stock style aluminum boards. Fits 1986-on FL Softail models, 1987-on Touring, 2006-on Dyna.

**63049** 50193-96



**63047**



**63048**

## FXST Passenger Fold-Up Footboard Set

Includes mounting hardware, aluminum footboard and rubber pads.

**PCP Application**

**63047** 2000-on Softail models except FLSTS, FLSTF and FXSTD. FLSTC models require saddlebag bracket relocation kit OEM # 90238-00 (50602-00)

**63048** 1986-99 Softail models (except FLSTS, FLSTF and FLSTN) 1990-99 FLSTC models require saddlebag bracket relocation kit OEM 90345-90A (50602-89B)

## Chrome FLT Floorboard Mount Set

Kit includes 4 pieces and hardware to fit 1983-on FLT models.  
**39132**

# Floorboards



## FLT Chrome Rear Passenger Floorboard Mounts

Fits 1993-on FLT, FLHT, FLHS models and replaces OEM 52719-93 and 53070-00.  
**59302**



## Chrome Billet Floorboard Pad Set

Features Billet construction with built in rubber strips on surface. Rubber Iso-Mount included which plug into stock board on 1980-on FLT, 1986-on FLST.  
**64311**



## Chrome 'D' Shaped Floorboards

Feature ISO design with rubber inserts in stainless steel grid. Pair.

PCP	Year	Model
39083	1940-85	FL-FLH
39084	1979-on	FLT



## Flamed Floorboard Set

Chrome floorboards feature a black rubber insert.

PCP	Application
39047	1980-on FLT and 1986-on FLST



## Chrome Billet Floorboard Pads

Include Iso bushings for 1966-on Big Twin  
**39085**



## Stream Liner Footboard Set

Fits 1986-on FLT and FLST models.  
**59926 50631-04**

# Floorboards



## New-Style Late Model Floorboards

Fits all 5-speed FLT, FLHS, Heritage Softail® and FLSTF models from 1980-on. The oval 'shaker' sets have the mounting brackets offset from the centre of the floorboards. Depending on which way they're installed, you'll end up with your feet approximately 1" further ahead of or behind the stock position. This adjustment permits your choice of foot placement. The rectangular and oval 'shaker' floorboards will replace stock items.

### Floorboard Sets

PCP	Description
3782	Rectangular 'shaker' floorboard set (50621-79A)
39049	Oval as above (for nostalgic look) (50599-89T)

### Replacement Parts

1224	Rectangular pads (50614-66) (pair)
1363	Oval pads (pair)
4701	Replacement bumpers (50620-74) (set of 8)
39046	Rectangular floorboard upper plate including pad (each)
39043	Oval floorboard upper plate including pad (each)



## Chrome Late Floorboard Trim

Deco trim for all 1966-on FL-FLT boards. Set is complete for two boards and includes drill template. Floorboards not included.

407



## Billet Mini Footboard Set

Fits passenger peg mounts that accept male pegs.

21773

## Big Twin Footboard Pads 1991-on

Black replacement driver rubber pads for all isolator style footboards. Pads and mounts are moulded in one piece for reliability. Stock on 1991-95 models but retrofit on all isolator style footboards.

23200 Sold each

Black cushion style passenger footboard pads include cushion air pockets to absorb vibration for more riding comfort. Will fit all HD passenger footboards, stock on 1991-95 dressers.

23201 Sold each



## Chrome Passenger Footboard Covers

Chromed aluminum covers for Touring models with stock passenger footboards and include mounting hardware. Fits 1986-on Softail, 1987-on Touring, 1986-on Softail and 2006-on Dyna.

64208 50194-96



## Long John Billet Board Set

Fits 1980-on FLT and 1986-on FLST.

39086

# Floorboards



## Adjustable Floorboard Kits

The design of these adjustable floorboard kits provide the rider with a position choice. These kits allow a full seven inches of front-rear adjustment. Angle and height adjustment are also adjustable. Kits were designed to fit all FXWG 1980-86 and all Softail/Dyna models 1984-on (except Heritage and Fat Boy™). They may be installed on any motorcycle with clevis-style footpeg mounts. They will also fit on the rear of Softail® models as passenger floorboards. Hardware included.

- 39050** Kit with "D" style shaker floorboards
- 39051** Kit with oval shaker floorboards
- 39053** kit with oval solid floorboard



## Topline Chrome Floorboards with Pad

Floorboards feature rubber pads with HD logo for 1986-on FLST/F/N/S and 1980-on FLT/HT, FLTR.

**19856** 50599-89T



## Footboard Hinge Bolt Kit

Chrome plated reproduction of special shoulder bolt to replace 50635-82. Fits all 1982-on FL and FX with footboards. Complete with chrome washers and locknuts.

**72125**



## Passenger Floorboard Covers

These easy to install covers enhance the look of the rear passenger floorboards. Fits touring models with stock passenger floorboards or other models with OEM accessory floorboards. Replaces OEM 50782-89. Screw caps not included. Note: Drilling and tapping required.

**39060** Pair



## Passenger Floorboards for Touring Models

Add these floorboards for added passenger comfort on long trips. Chrome plated finish with non-slip ribbed rubber surface, reducing fatigue and vibration discomfort. Set of floorboards comes complete with necessary mounting parts, bolts, nuts, spacers and brackets. Fits all FLH's and FLT's.

**2436**



## FXST Passenger Fold-Up Footboard Set

Includes mounting hardware, aluminum footboard and rubber pads. Fits 2000-on FXST (except FLST/F and Duece). FLST models require additional purchase of OEM# 90238-00 bag relocation kit.

**63047** 2000-on FXST (50602-00)

# Floorboards



## Tapered Passenger Footboard Kit

Long and skinny floorboards complement PCP#64837 and feature a sleek tapered design and stylish chrome surrounds that add a custom shine even when folded up. Kit includes left and right passenger footboards with rubber inserts. Fits 1986-on FL Softail and Touring models equipped with passenger footboards. Can also be installed on models using passenger footpegs by the separate purchase of an appropriate footboard support kit.

**64838** 50396-05



## Tapered Long Footboard Kit

Long and skinny floorboards feature a sleek tapered design and stylish chrome surrounds. Kit includes left and right complete footboards with rubber inserts. Does not work with OEM# 50206-98 or 50205-97 footboard fringe. Fits 1986-on FL Softail models, stock on Softail Deluxe.

**64837** 50634-05



## Divided Passenger Footboard Kit

Inserts feature a hip divided design with perforated center channel and crest. Kit includes left and right inserts. Fits 1986-on Touring models, 2000-on Softail, and 2006-on Dyna models with passenger footboard supports.

**64840** 50429-04



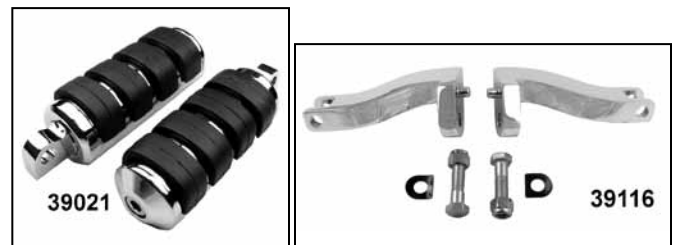
## Rider Divided Footboard Kit

Inserts can be used to customize the look of Softail Deluxe models. Inserts feature a hip divided design with perforated center channel and crest. Kit includes left and right inserts which install easily and retain vibration isolation for added comfort. Fits on 2005-on FLSTN and models equipped with PCP#64840 tapered footboards.

**64839** 50363-05



**FXST 1986-on Rear Peg Mount Set**  
21763



## FLT Rear Passenger Peg Brackets 1993-on

Adjustable to replace stock rear footboards. Brackets and male pegs sold separately or as a kit.

PCP	Item
<b>39116</b>	Brackets
<b>39021</b>	Peg set
<b>39243</b>	Kit

# Hi-way Bars



## Dyna Glide Chrome Hi-way Bar Peg Mounts

Includes chrome plates and bars to accept a male style peg for 1995-on FXD/C.

**39153** 49019-95

**39121** As above with Cats Paw pegs



## Dyna Chrome Adjustable Highway Mount Kit

Mounts feature 2 position adjustability hidden behind the mounting plate. Kit includes hardware to mount a male style peg which is not included. A front engine guard cannot be installed with this kit. For Dyna models except FXDWG, FXDF and models with forward controls.

**39154** 49002-98



**39134**

**39137**

## Billet Footpegs, Shifter and Brake Pedals

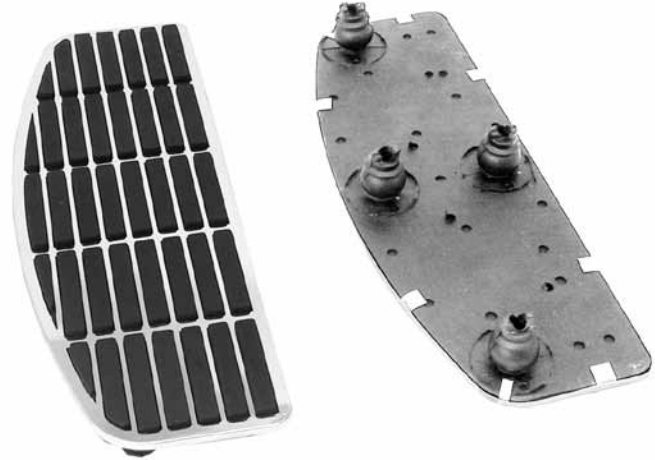
Chrome billet pegs can be used with billet kits or can be adapted to other kits. Footpegs include pivot yokes with 3/8" bolts, shift brake pedals have 5/16" threads. Sold in pairs.

**39133** Footpegs

**39134** Shift & brake pedal

**39137** Front pegs with male end

# Floorboards



## Chrome Floorboard Trim

Floorboard inserts are fitted to an iso-mount floorboard top to fit 1974-on FL-FLT-FLST models.

**39082**



**63038**

**63039**

**63037**

## Slotted Footboards

**PCP Application**

**63038** Driver floorboard inserts 1980-on Touring and FLST models (50176-95)

**63039** Passenger floorboard inserts 1986-on Touring models (50177-95)

**63037** Brake pedal cover kit 1980-on Touring and 1986-on FLST models (42557-95)



**63017**



**63016**

## T/L Billet Chrome Footpegs and Shifter Peg

Billet aluminum footpegs feature two-piece construction and a contemporary custom design.

**63016** Footpegs fit all H-D male-mount style footpeg support except VRSC models (49234-98) (pair)

**63017** Shifter peg fits all models (49238-98)

# Pegs & Mounts



## Rear Peg Relocation Kit

Includes chrome brackets and Cats Paw soft pegs.  
39244



## Chrome Passenger Peg Brackets

Fits 2004-on XL models. Order male pegs separately.  
39242



## Chrome Peg Mount Set

Fits FXD-FXDWG models.  
39241



59592



59593



59981



59980



59985



59984

## Foot Peg and Shifter Sets

These matched sets, available in a wide variety of styles, feature a male peg set and a shifter peg to fit forward controls.

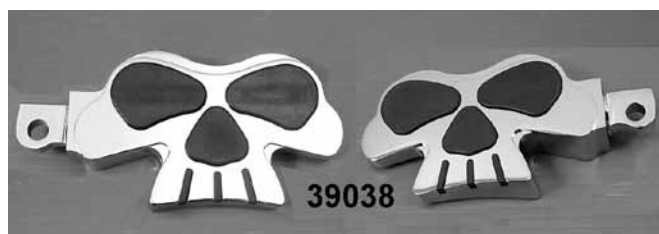
PCP	Style
59980	Pirate
59981	Druid
59984	Bullet
59985	Batigue



59988



59989



39038

## Chrome Billet Peg Sets

PCP	Item	Design	Finish
59988	Peg set	Skull	Chrome
59989	Peg set	Knuckle	Chrome
39038	Peg set	Skull	Chrome w/rubber inserts
59592	Kicker	Skull	Alloy
59593	Kicker	Knuckle	Alloy

# Pegs & Mounts



## Chrome Set of Folding Foot Pegs

This features a super mounting clamp and a rubber insert in the foot peg for more positive footing.

**757** Fits 1" frame or crash bar (set)

**758** Fits 1-1/4" frame or crash bar (set)



## Sportster® Forward Peg Set

Complete with a pair of PCP chrome O-ring footpegs and all of the necessary hardware for the newer alternator equipped models. This peg set mounts between the lower engine mounts. The mount will accept most female mounting pegs.

**4446** Fit Sportster® models from late 1984-03



## 3-Piece Frame Bracket

Chrome-plated, super heavy-duty clamps. The unique 3-piece design eliminates spreading the clamp to fit over frames and safety bars for quick easy installation and a long-lasting custom appearance.

### 3-Piece Frame Clamps (Sold in Pairs)

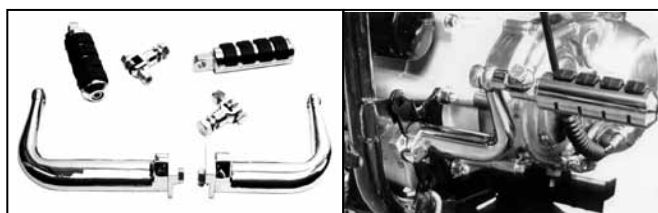
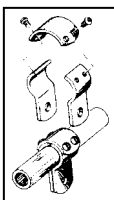
**PCP** Size (for 1/2" Peg Mounts)

**3219** 7/8" Clamp

**3255** 1" Clamp

**3256** 1-1/8" Clamp

**3257** 1-1/4" Clamp



## Sportster Adjustable Highway Peg Kit

Fits XL late 84-on with alternator. Kit includes: right and left chrome supports with Cats Paw pegs that adjust into three height positions; to fit with engine guard kit. Not 1999-on XL 883C/1200C.

**39240** 1985-2003 (49503-96)

**59586** 2004-on



## Extended Pegs

1" longer than stock made yoke end pegs, fits FX & FXST passenger pegs and FXST, FXWG driver peg. Sold in pairs.

**PCP** Style

**39140** Rubber with chrome caps

**39141** O-Ring style

**39034** Cats Paw ISO style with yokes

**39018** Extended Cats Paw shifter (each)



## 3-Piece Frame Bracket

Chrome super heavy duty clamps feature a 3 piece design that eliminates the need to spread the clamp over frames and safety bars. These custom look clamps install quickly and easily. 3/8" Mount Hole.

**PCP** I.D.

**44046** 1"

**44047** 1-1/8"

**44048** 1-1/4"

# Pegs & Mounts



## Live to Ride Foot Pegs

Beautifully chrome plated, large driver foot pegs "Live to Ride" rubber insert. Solid peg. Looks great.

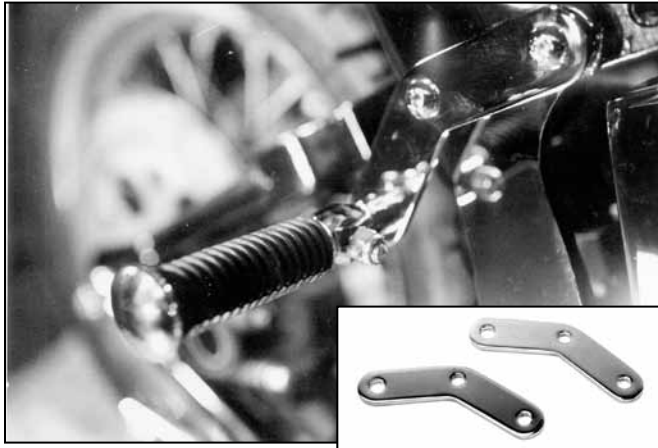
**39500** Pair



## Krome-Railers

These are designed with chrome body with rubber "rails" inserted for good grip. Peg diameter is mid size between small and large diameter pegs.

- 51204** Handle bar grips
- 39014** Male pegs, large, FXR driver (1-1/2" o.d.)
- 39015** Male pegs (1-1/4" o.d.) small & FXST driver
- 39016** Female pegs, large driver
- 39017** Shift peg
- 39013** Female pegs for 5/8" square bars
- 39201** Kicker pedal



## Passenger Peg Relocation Brackets for FXST

These chrome brackets install quickly and easily under the stock mounting screws that attach the fender struts to the frame on Softail® models. They relocate the OEM passenger footpegs to a more comfortable position for passengers who like to lean back against the sissybar. They fit all FXST models 1984-on. Sold in pairs.

**39152** FXST and FLST 1984-on (footpegs not included).



## Cushion Footpegs

Two larger than stock footpeg sets use the vibration-absorbing technology of the OEM FXR footpegs. The FXR version is longer than the stock footpegs and has the male shanks at an angle that insures maximum vibration absorption. The other version is approximately 1 1/2" longer than stock footpegs and may be used with any stock female clevis. They work extremely well on FXWG and FXST models. Both versions have chrome end caps. Sold in pairs.

- 39010** Fit the front of all FXWG, Softail® models, & Dyna Wide Glides (except Heritage and Fat Boy®) from 1980-on, or any female footpeg clevis.
- 39011** Fit all FXR's (except FXRD and FXRP) from 1982-94 as well as Dyna Glide™ and 5-speed Sportsters® 1991-on (except Dyna Wide Glide)



## Railroad Spike Billet Peg Set

**21786** With male ends

# Pegs & Mounts



## Kick Pedal and Shift Pegs

- PCP Type/Model**  
**1400** Flat kicker pedal (50908-88T) (each)  
**1401** Kicker pedal all (50902-84T) (each)  
**1402** O-Ring shift peg 1/2" long (34631-84T) (each)  
**3067** Grip set 1974-81



## Driver Pegs (Pairs)

- 765** Large FX-XL driver peg, female (52651-85T)  
**39000** FXR Large driver peg, male end 1982-90 (50913-89T)



## Custom Pegs

- 763** Clamp on 1-1/4" (pair)  
**764** 5/8" Stud mount pegs (pair)  
**1461** 1/2" Stud mount pegs (pair)  
**39001** Pegs only, fits 5/8" square blocks (1/2 x 20)



## Passenger Pegs

- 4709** FX-XL rear passenger pegs, hiway-bar male end, small diameter (50901-84T) (pair)  
**39141** Extended, as above, 1 1/2" longer

## Replacement O-Rings for Pegs (10 Packs)

- 2466** O-Rings for small pegs (49031-84T)  
**2464** O-Rings for large pegs (49028-85T)  
**2467** O-Rings for flat kick pedal (49029-85T)  
**2465** O-Rings for shifter peg (49030-84T)



## Cats Paw Pegs

Unique soft rubber pad is an inserted cleat isolastically mounted on chrome Allen socket bolt and yoke stem. Vibration is reduced. Sold in pairs, matching shifter, sold each.

- | PCP # | Description   | PCP # | Description                                  |
|-------|---|-------|--|
| 39020 | A Large driver female end 52-on FX & Sportster  | 39032 | J Kicker pedal                               |
| 39026 | E Mt. yoke for above, female  | 39022 | B 5/8" Female type for custom hiway pegs     |
| 39021 | H Large driver, male FXR 1982-on  | 39037 | C As above, clamp-on set                     |
| 39028 | M Male yokes for above pegs   | 39027 | D 5/8" Female yokes only for above peg       |
| 39023 | I Passenger, rear 1973-on FX-XL- FXST-FXWG, front 1981-on male end, OEM type hiway pegs | 39024 | K Shifter peg 3/8" stud                      |
| 39034 | G Peg set as above pegs 1" extended   | 39025 | K Shifter peg 5/8" stud                      |
| 39028 | M Stock size mount yokes for above, male  | 39018 | Shifter peg 1" longer                        |
| 39035 | L 1" Extended male yokes, above   | 39030 | F Rubber only for #39020 and #39021 (8 pack) |
|       |   | 39029 | O Rubber only #39022 and #39023 (8 pack)     |
|       |   | 39031 | N Rubber only for #39025 (3 pack)            |

# Pegs & Mounts



## Chrome Cap Shifter Peg

Replacement shifter peg with chrome end cap pressed over rubber peg. Sold each.

**3248**

## Chrome Cap Pegs

Replacement XL-FX drive peg with chrome end cap and chrome mounting block.

**3248** Driver/Passenger (pair)

## FX, XL Kick Pedal

Black with chrome end cap 33178-63).

**3250**



## Stock Type Passenger Pegs

Stock replacement FX style passenger pegs 1/2 x 20. Sold in pairs with chrome plated ends. OEM #50907-69A.

**1484** Peg set

**4706** Rubber only (pair)

## Stock Style Replacement Peg

Without blocks. Replaces OEM #49117-77.

**1483** Stock peg (pair)



## Foot Peg Mounting Yokes

Chrome plated. Mounts are available in 1/2" fine thread mounting holes. Sold in pairs.

PCP	Thread	Length
<b>3779</b>	1/2"	1" (50900-72)
<b>39126</b>	3/8"	1"
<b>39127</b>	1/2" x 13	1"
<b>39128</b>	Thru hole 3/8"	1-7/8" (50942-00)

## Magna Ring Pegs

Features heavy duty flat rubber ring with chrome centre shaft and tapered end cap. Pairs.

**39117** Male driver

**39119** 5/8" Female square mount

**39120** Male mount 1" extended



## Chrome Billet Flame Peg Set

**59753** Male ends



## Chrome Mustache Bars

Bar includes a Cat Paw peg set and should not be used with a front engine bar.

**39079** FLST 1986-99

# Pegs & Mounts



## Rear Passenger Peg Set for Sportster® Models

Chrome passenger peg set for Sportsters® L1984-03. Special designed mounting blocks utilize the threaded lugs in the OEM swingarm, and o-ring pegs are provided.

**4708** Complete Kit not for 1999-on 883C/1200C



59202

## Chrome Chopper Pegs

Each peg set includes threaded mount block.

**PCP Style**

**59202** Hex



## XL Passenger Peg Mounts

For XL models 1982-03 to mount passenger pegs to swing arm. Choose pegs to complete.

PCP	Description
<b>3043</b>	Mounting set (50610-86T)
<b>1483</b>	Pegs with caps
<b>4709</b>	O-Ring pegs
<b>39023</b>	Cats Paw pegs



## Spoon Style Clamp-on Footpeg Sets

Chrome plated peg with zinc clamps and hardware have a folding type mount block. For 7/8" and 1"

**59551**

## Mega Pegs

Chrome pegs with molded rubber inserts and a centre allen screw that allows for adjustable angle position.

**39125** Universal 5/8" square peg for highway bars



39125



## Chrome FXST Footpeg Extension

Use extension to position the peg 2" forward and 3-1/2" wider on an FXST. Shown on PCP# 6309 FXST forward controls.

PCP	Description
<b>39112</b>	4" Peg extension
<b>6309</b>	Kelsey type brake forward controls



## Billet Rocket Pegs

Male end pegs include heavy duty o-rings.

**39039**

# Pegs & Mounts



**39116**

## FLT 1993-on Chrome Adjustable Footpeg Mounts

**39116** Set



## Footpeg Extensions

Stretch out in comfort with our footpeg extensions. They are polished and plated to a brilliant luster. Pairs available in two lengths: 4" and 4-5/16", both with a 2" drop from centerline.

**39112** 4" length



**59572**



**21657**



**59573**



**73628**

## Billet Chrome Pirate Spike Peg Set

PCP	Description	Length
<b>59572</b>	Peg set with male ends	6"
<b>59573</b>	Peg set with folding mounts	8.5"
<b>21657</b>	Peg set with folding mounts	6.5"
<b>73628</b>	Shift peg	3.25"



## FXST Rear Peg Mounts 1986-on

Bolts to rear frame and repositions pegs to a more comfortable position.

**21763**



## Chrome Rear Footpeg and Pivot Cap Cover

Each set fits 2000-on FXST models. Not for FXSTD, FLSTF or models with passenger boards.

**64258**



## Anti-Sad D-Clips

Puts pegs back to a level position. Sold in pack of 10.

**71007**



## Original Style Footrests

For use on 1" diameter safety bars or frames. Sold as pairs.

**19596** 49100-58



**59986**



**59987**

## Batique Billet Peg Sets

PCP	Style	Length
<b>59986</b>	Folding	8.5"
<b>59987</b>	Male	6"

# Pegs & Mounts



## Foot Rest Supports and Studs XL 1980-on

PCP	Application
27225	Left support 1986-90 (50948-86A)
29065	USA, as above
10824	Left stud 1986-90 (24752-86)
10829	Right stud 1986-90 (34886-86A)
27209	Left support 1991-03 (50951-90)
10909	Right peg clevis 1991-03 (42441-90A)
10908	Right pivot stud 1980-90 (42441-80)
27013	Right MC support bracket 1983-90 (34909-83)
27014	Right MC support bracket 1991-03 (34909-90)



## Footpeg Arm Mount Studs

Studs feature a spline with 1/2" threaded end, longer type is keyed for FXR models.

21006	2-7/8" (50921-83)
10843	2-3/8"



## Chrome Rear Peg Relocation Brackets

Use these brackets to move pegs to a more comfortable position on 1994-01 FXD models. Each.

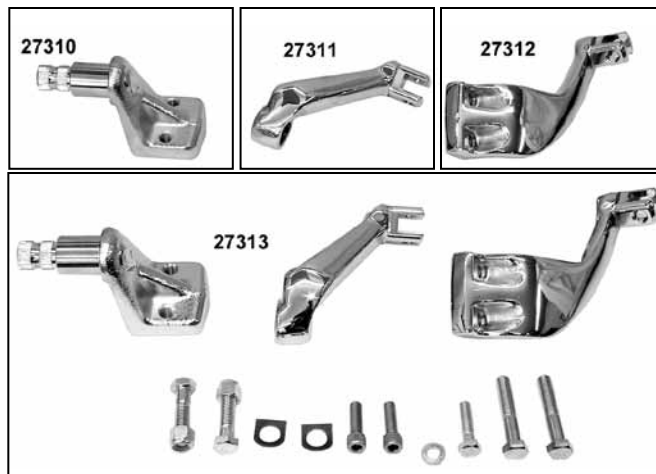
39104



## Footpeg Mount Kit

Allows male type pegs to be mounted to a 1-1/4" diameter engine bar.

39129



## Chrome FXR Driver Peg Mount Brackets

These brackets are for use with male style pegs and fit all FXR models 1982-94.

PCP Application

27310	Right mount (50531-81)
27311	Right extension (50636-81A)
27312	Left extension (50639-81)
27313	3 Piece set of above



## FXR Passenger Peg Kit

Use this kit to move passenger footpeg forward and higher. Kit includes chrome brackets and bolts. Stock or custom 1/2" stud footpegs can be used.

27314

# Pegs & Mounts



## Chrome Foot Rest Support Bracket Kit

Fits XL's 1972-on, FXST 1984-on (50900-72). 1/2" Mount bolts.  
3779 Sold in Pairs



## Stock Type Highway Bar Assembly

For FXR/RS models 1982-94.  
5790



## Red Baron Billet Kick Pedal

Features chrome axle shaft.  
59581



## Red Baron Peg Set

Billet chrome pegs feature a steel shaft and male peg ends.  
59596



39040



39041

## Billet Peg Sets

Chrome pegs feature rubber inserts to fit male applications.

PCP	Style
39040	Gothic
39041	Caudal



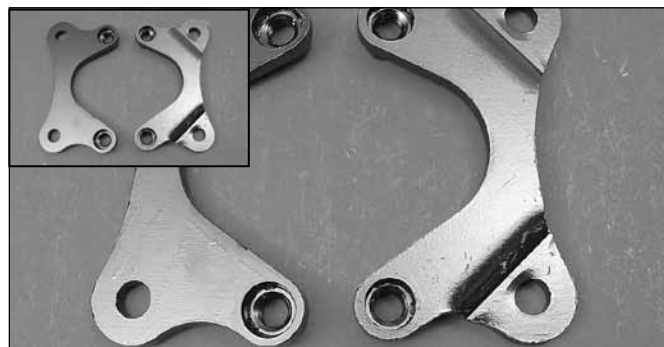
## FLT Rear Peg Kit 1993-on

Includes chrome brackets and large Iso peg set. Replaces rear passenger floorboards.  
59301



## Foot Peg to Bar Clamp Kit

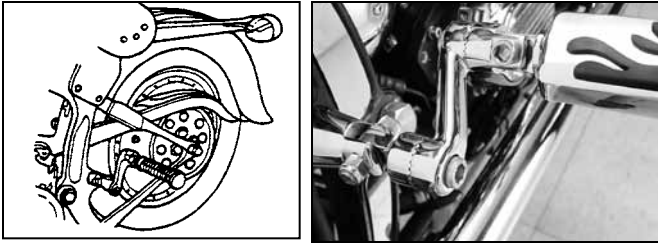
Fit 1-1/4" engine bars to mount male peg sets.  
27394



## XL Rear Passenger Peg Relocation Bracket

Fits 2004-on XL models with Radii pipe set. Black.  
27371

# Pegs & Mounts



## Chrome Adjustable Foot Peg Mount Kits

Pegs can be rotated to different positions using the detent locking system and the yoke provided fits into the stock female footpeg clevis on models that accept a male end peg. Order pegs separately.

PCP	Description
39113	FXST, FXDWG front 1983-on
39115	FXR rear 1982-on, FLST rear 1990-on
39116	FLT 1993-on to replace passenger floorboards



## Rear Peg Relocation Brackets

Use these chrome brackets to place pegs in a more comfortable position.

PCP	Application
39152	1984-on FXST
39103	1986-on FLST
39104	1994-01 FXD (each)



**Druid Billet Peg Sets**  
59744 Male ends



## Chrome 5/8" Footpeg Bars

These footpeg bars include a 3/8"-16 x 3/4" grade 5 chrome-plated bolt and lockwasher, and are commonly used as replacements for broken motormount pegs.

39100	2" long (sold each)
39101	4" long (sold each)
39102	5" long (sold each)
39105	3" long (sold in pairs)



## Maltese Billet Footpeg Set

Fits male end applications.  
59509 Set



**Chrome Billet Slugger Peg Set**  
59754



**Billet Bullet Peg Set**  
Features male end with rubber buttons on foot surface.  
59743

# Pegs & Mounts



## Chrome Offset Peg Mount Set

Mounts are 2" offset with 3" extension. Mounts accepts 1/2" x 13 bolts.

**59300**



## Chrome Footpeg Mounts

Features an unique angle for use as passenger peg mounts.

**59296**



## Mini Footpeg Clevis Set

Accepts all male end pegs. Smooth design with flush allen screws.

**59295**



## Chrome Footpeg Mount Bars

Measures 3-1/2" long and accepts male mount pegs and mount with 1/2" x 13 bolts.

**39159**



## Chrome Footpeg Mount Kits

Kits include clamp set and 3.5" extension bars to accept male pegs.

PCP	Size
<b>59297</b>	1"
<b>59298</b>	1-1/8"
<b>59299</b>	1-1/4"



**59584**

## Chrome Hole Shot Billet Peg Set

Features male style ends.

**59584** Peg set

**73632** Shifter peg



## Footpeg Mount Blocks

Fits 1996-on FLT models to use with male peg sets.

**59929**

# Pegs & Mounts



## T/L Adjustable Chrome H/Way Peg Support Kit

Highway peg supports are easy to adjust into three different positions and include all necessary hardware. Can be used with your choice of small male mount footpegs (not included).  
**29212** 2004-on XL models with mid controls (49053-04)



## Chrome Passenger Peg Mount

**39130** XL 1982-90, uses small male pegs



## T/L Chrome XL Forward Control Footrest Support

Use these brilliant chrome plated brackets to replace the stock black ones on XL 2004-on 883C and 1200C models.  
**61087** 42705-04



**39156**



**39158**



## T/L XL Highway Peg Mounting Kit

Fits 1984-2003 XL models except 1999-on XL 883C and 1200C models.  
**63030** 49159-88T

## XL Hi-Way Bar Peg Sets

Chrome peg set mounts to front motor mount replacing factory type 49106-84. Includes pegs for 1985-03 883-1100-1200 XL models.

<b>PCP</b>	<b>Type</b>
<b>39156</b>	O-ring pegs
<b>39158</b>	Cats Paw pegs